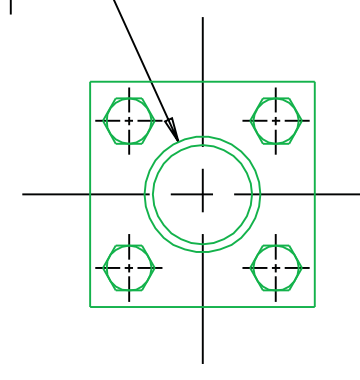
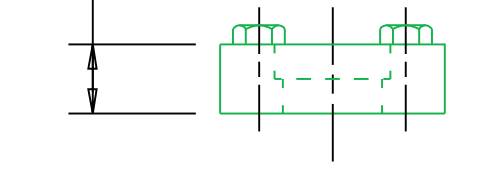


REVISION HISTORY					
CHG NO	ZONE	REV	DESCRIPTION	DATE	BY / APPROVED
00-0579	ALL	1	UPDATED TO CURRENT STANDARDS	11-13-00	DMM / DMM

OUTLET 2" SIZE SOCKET WELDING ADAPTER Ø2.414 [61.31] SOCKET .72 [18.3] DEEP

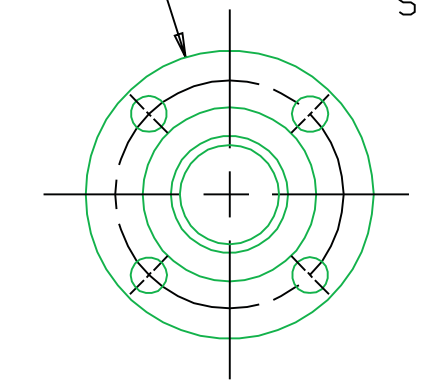


1.44 [36.5]

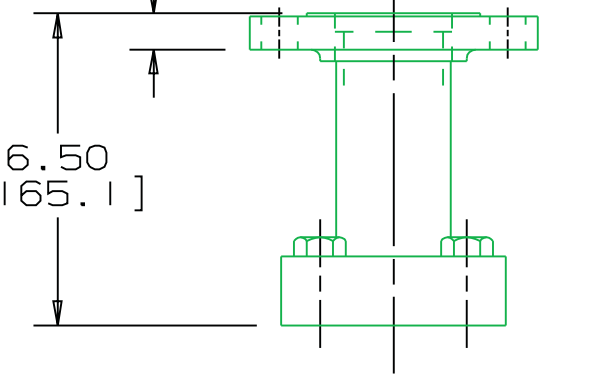


SOCKET WELDING OUTLET OPTION

OUTLET 2" SIZE 150# ANSI B16.5 RAISED FACE FLANGE HOLES TO STRADDLE CENTERLINES

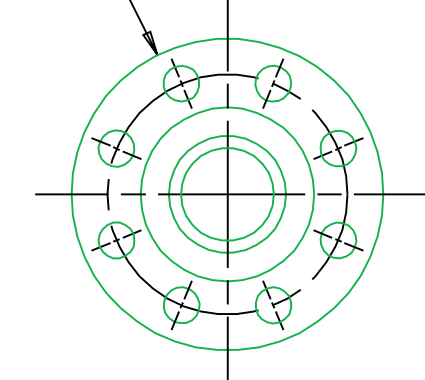


.75 [19.1]

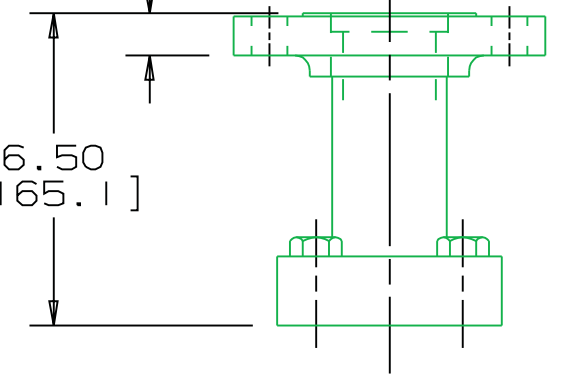


150# RF OUTLET OPTION

OUTLET 2" SIZE 300# ANSI B16.5 RAISED FACE FLANGE HOLES TO STRADDLE CENTERLINES

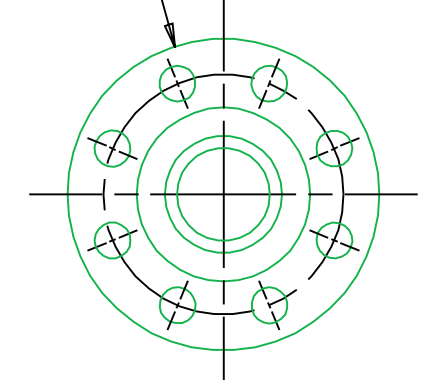


.88 [22.2]

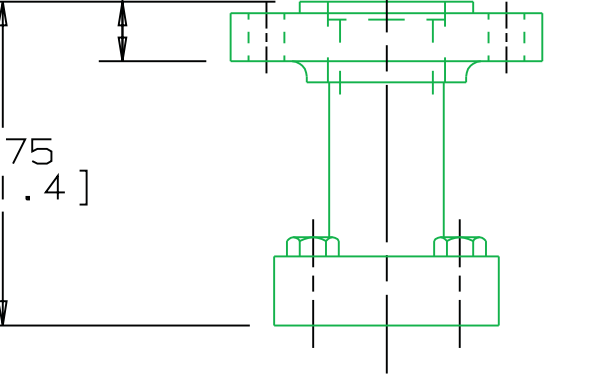


300# RF OUTLET OPTION

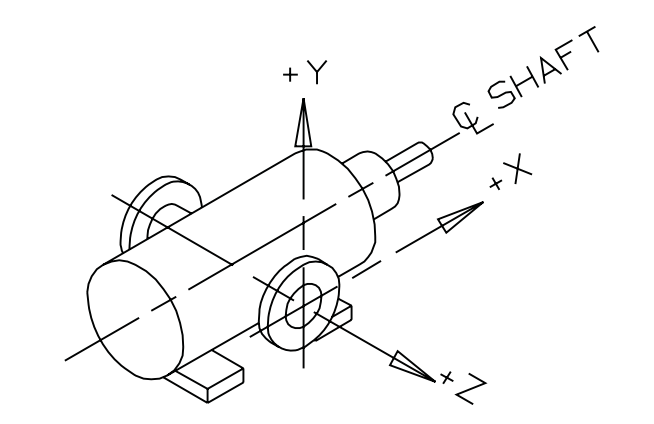
OUTLET 2" SIZE 600# ANSI B16.5 RAISED FACE FLANGE HOLES TO STRADDLE CENTERLINES



1.25 [31.8]



600# RF OUTLET OPTION



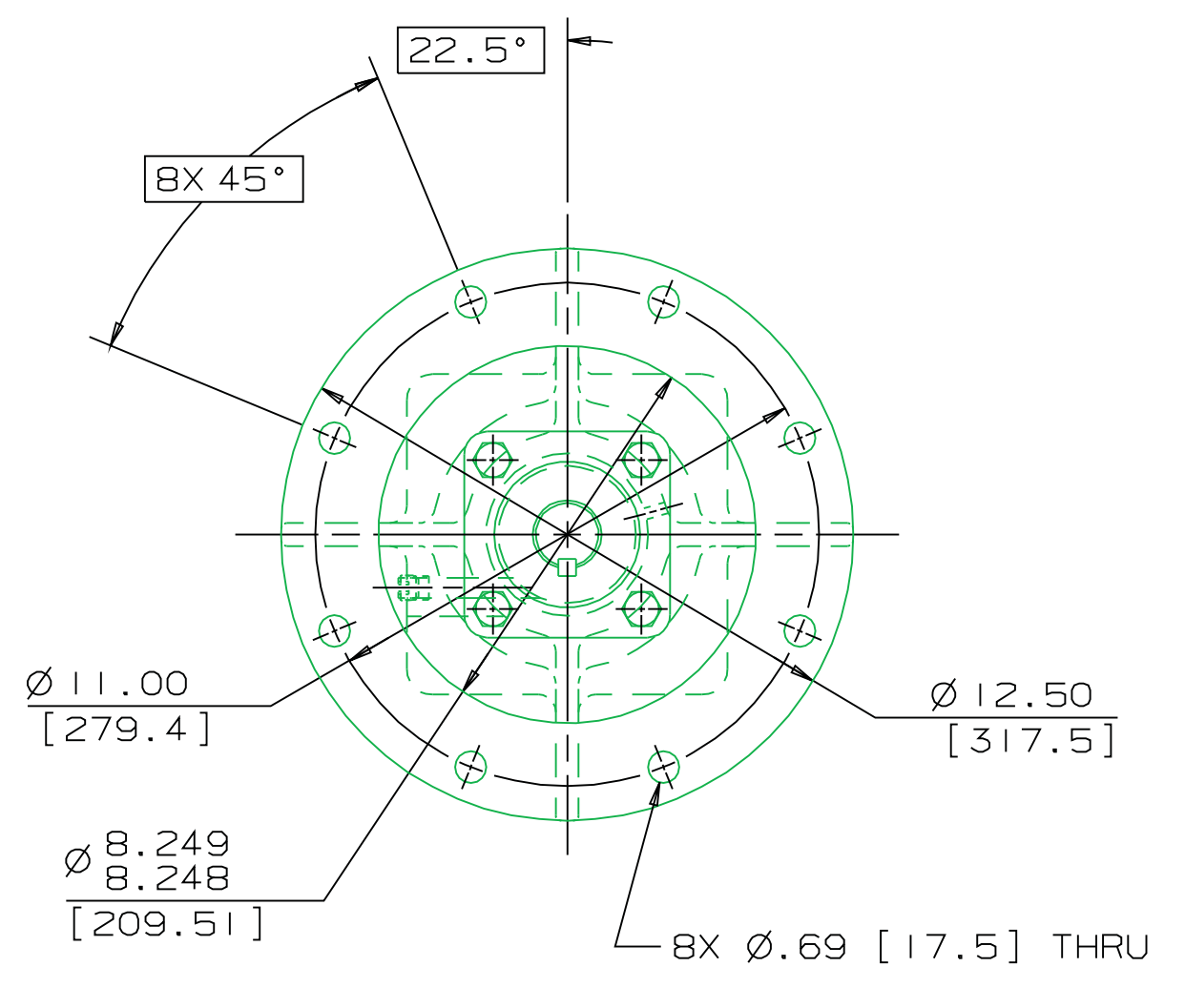
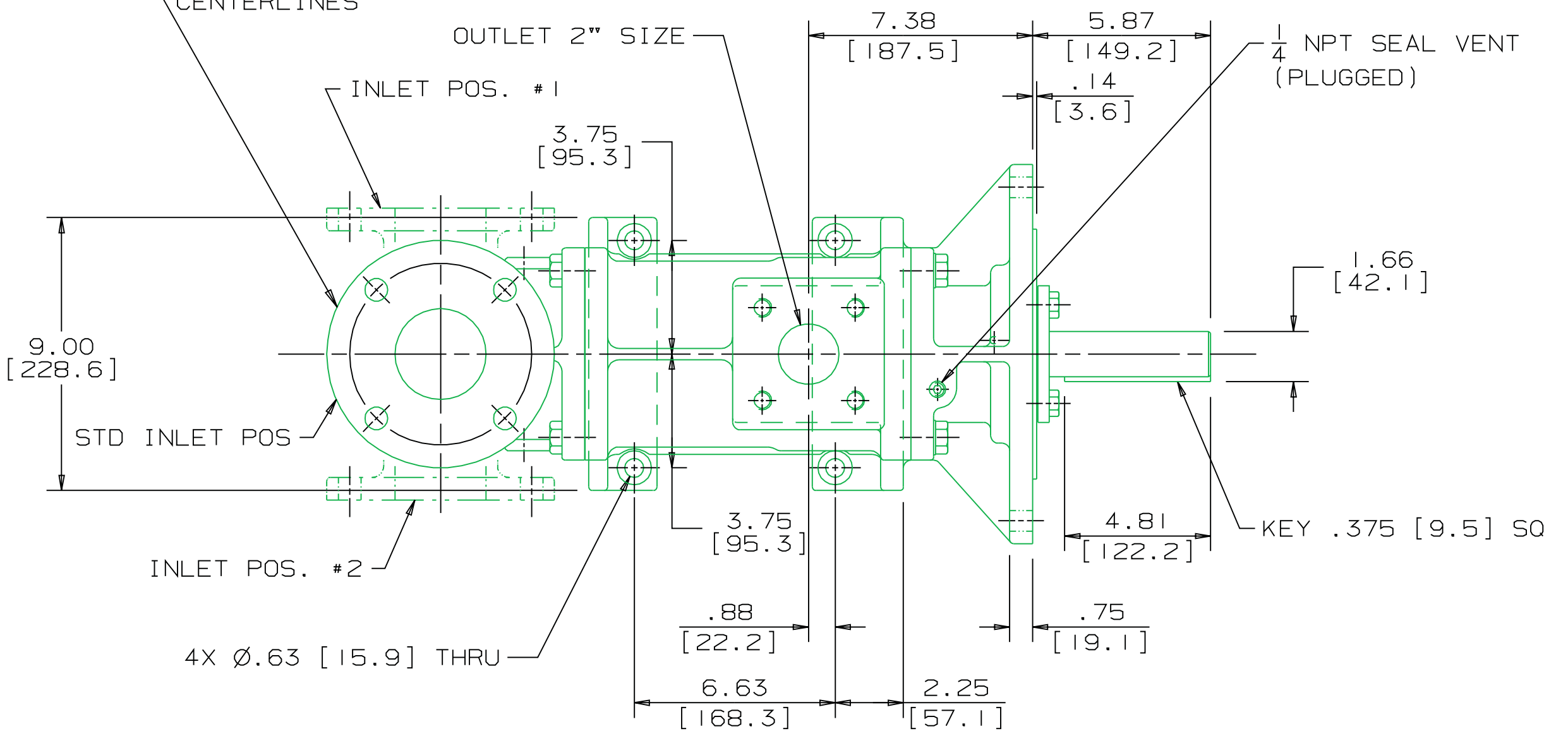
COORDINATE SYSTEM FOR MAXIMUM PUMP FORCES (F) AND MOMENTS (M)

INLET:
 FX=225 LBF [1000 N] MX= 375 LB FT [508 N·m]
 FY=225 LBF [1000 N] MY= 375 LB FT [508 N·m]
 FZ=225 LBF [1000 N] MZ= 375 LB FT [508 N·m]

OUTLET:
 FX=150 LBF [667 N] MX= 250 LB FT [339 N·m]
 FY=150 LBF [667 N] MY= 250 LB FT [339 N·m]
 FZ=150 LBF [667 N] MZ= 250 LB FT [339 N·m]

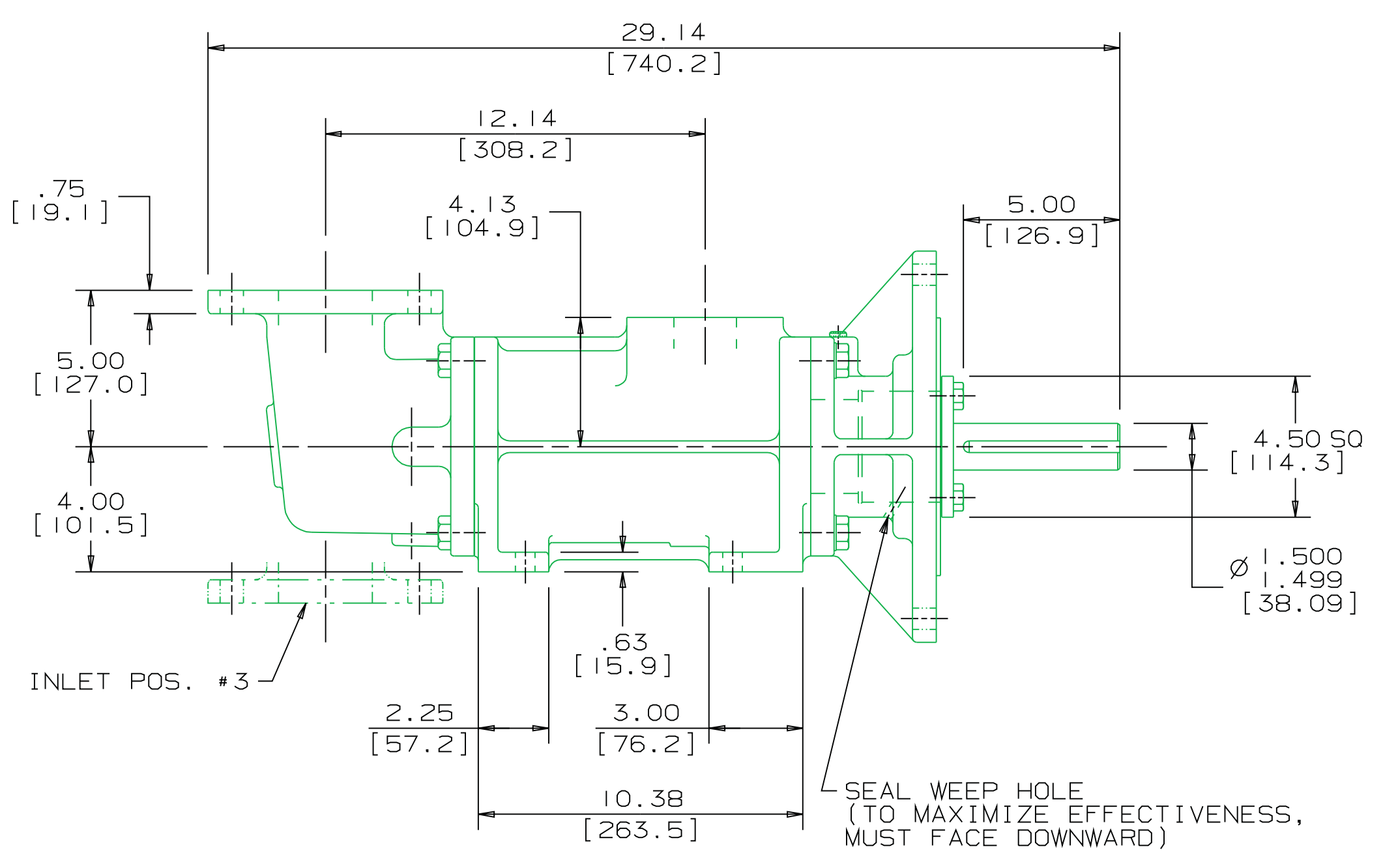
FORCE AND MOMENT VALUES ARE RELATIVE TO CENTER OF INLET AND OUTLET PORT FACES.

INLET 3" SIZE 125#/150# FLAT FACE FLANGE WILL MATE TO 125#/150# ANSI B16.1/B16.5 RAISED FACE FLANGE HOLES TO STRADDLE CENTERLINES



- NOTES:
- UNLESS OTHERWISE SPECIFIED, ALL DIMENSIONS ARE IN INCHES. DIMENSIONS IN [] ARE MILLIMETERS.
 - TO MAXIMIZE SEAL LIFE, SEAL VENT MUST BE ORIENTED UPWARD (12 O'CLOCK) WHEN PUMP IS INSTALLED HORIZONTALLY. THIS IS NORMAL VENT ORIENTATION WHEN PUMP FEET ARE ORIENTED DOWNWARD. SEAL VENT ORIENTATION IS NOT CRITICAL WHEN PUMP IS INSTALLED WITH SHAFT VERTICALLY UPWARD.
 - PORT, FOOT, AND SEAL VENT ORIENTATIONS ARE SUPPLIED AS SHOWN ON DRAWING UNLESS OTHERWISE SPECIFIED.
 - ALTERNATE INLET PORT POSITIONS ARE PROVIDED IF SPECIFIED ON ORDER. AVAILABLE POSITIONS ARE: STANDARD, POSITION #1, POSITION #2 OR POSITION #3. ALL INLET PORT POSITIONS ARE RELATIVE TO OUTLET PORT.
 - ESTIMATED WEIGHT (WITHOUT PORT ADAPTERS) 180 LBS [81.6 kg].

DRAWING CERTIFICATION	
CUSTOMER NAME	-----
CUSTOMER PO NUMBER	-----
CUSTOMER PART NUMBER	-----
BOM NUMBER	-----
PUMP TYPE	-----
SHAFT ROTATION	-----
INLET PORT POSITION	-----
OUTLET PORT ADAPTER OPTION	-----
OTHER INFORMATION	
CERTIFIED BY	-----
CERTIFIED DATE	-----
IMO ORDER NUMBER	-----
DATA REVISION NUMBER	-----



SEAL WEEP HOLE (TO MAXIMIZE EFFECTIVENESS, MUST FACE DOWNWARD)

FACE MOUNT, RIGHT ANGLE INLET
IRON 3D-218

MATERIAL
PROCESS
COMMENTS:
STANDARD ROTATION IS CLOCKWISE WHEN VIEWED FROM COUPLING END OF PUMP. SUCTION STRAINER AND DISCHARGE RELIEF VALVE MUST BE PROVIDED.
ALIGNMENT:
UNITS ARE ACCURATELY ALIGNED AT THE FACTORY. ALIGNMENT SHOULD BE CHECKED BEFORE STARTING TO ENSURE THAT IT IS STILL WITHIN .005 [0.13] F.W.
PRESTARTING:
FLUSH SUCTION PIPING BEFORE CONNECTING PUMP. PRIME AND VENT PUMP. DO NOT START PUMP WITH VALVES CLOSED. READ INSTRUCTION MANUAL FOR DETAILS BEFORE STARTING.

DRAWN	JTT	12-07-98
CHECKED	BMR	12-10-98
APPROVED	MJC	12-11-98



TITLE OUTLINE STANDARD (IRON) G 3 D - C - - 2 1 8 - -			
THIRD ANGLE PROJECTION	FIRST ORDER	SIZE	CAGE CODE
3	BPCOMM98	D	59180
USED ON	SCALE	WEIGHT	SHEET
3212/152	1/4	SEE NOTE 5	1 OF 1