

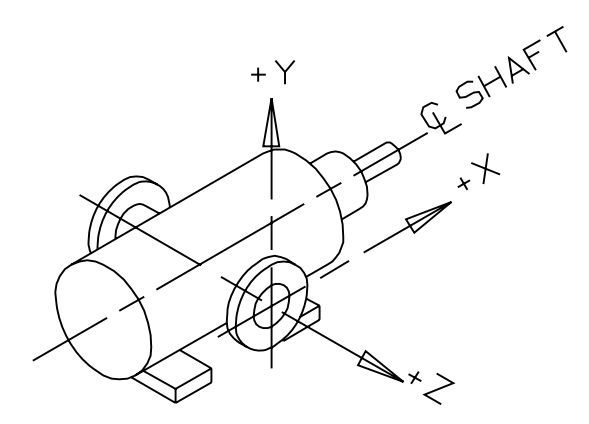
SOCKET WELDING OUTLET OPTION

150# RF OUTLET OPTION

300# RF OUTLET OPTION

600# RF OUTLET OPTION

REVISION HISTORY						
CHG NO	ZONE	REV	DESCRIPTION	DATE	BY	APPROVED
99-00344	B6,C3,C5	1	CHG'D FRT COVER CONFIG, DEL'D ANTI-ROTATION BOLT	04-09-99	JTT	BMR
00-00452	ALL	2	REW'D RIBS ON PUMP CASE, REPL'D "GENERIC" W/ "STANDARD"	10-18-00	KV	ERH
00-0579	ALL	3	UPDATED TO CURRENT STANDARDS	11-21-00	DMM	DMM

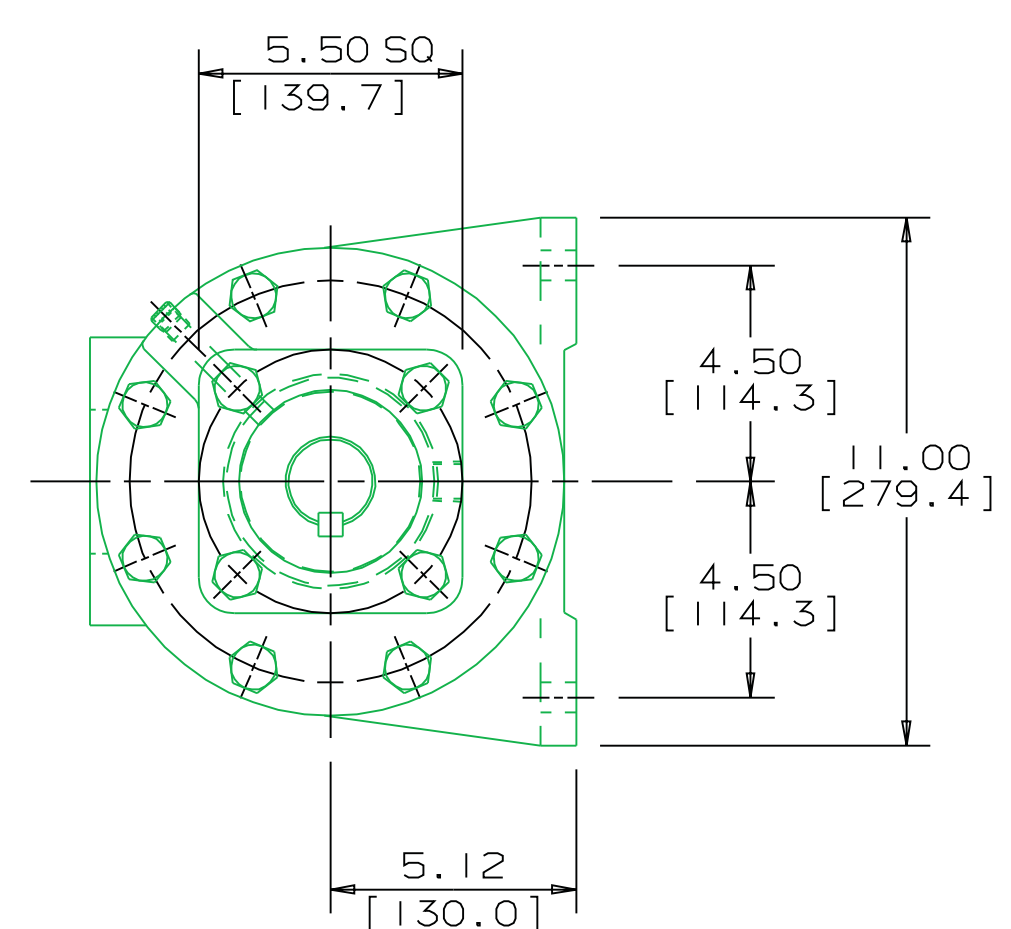
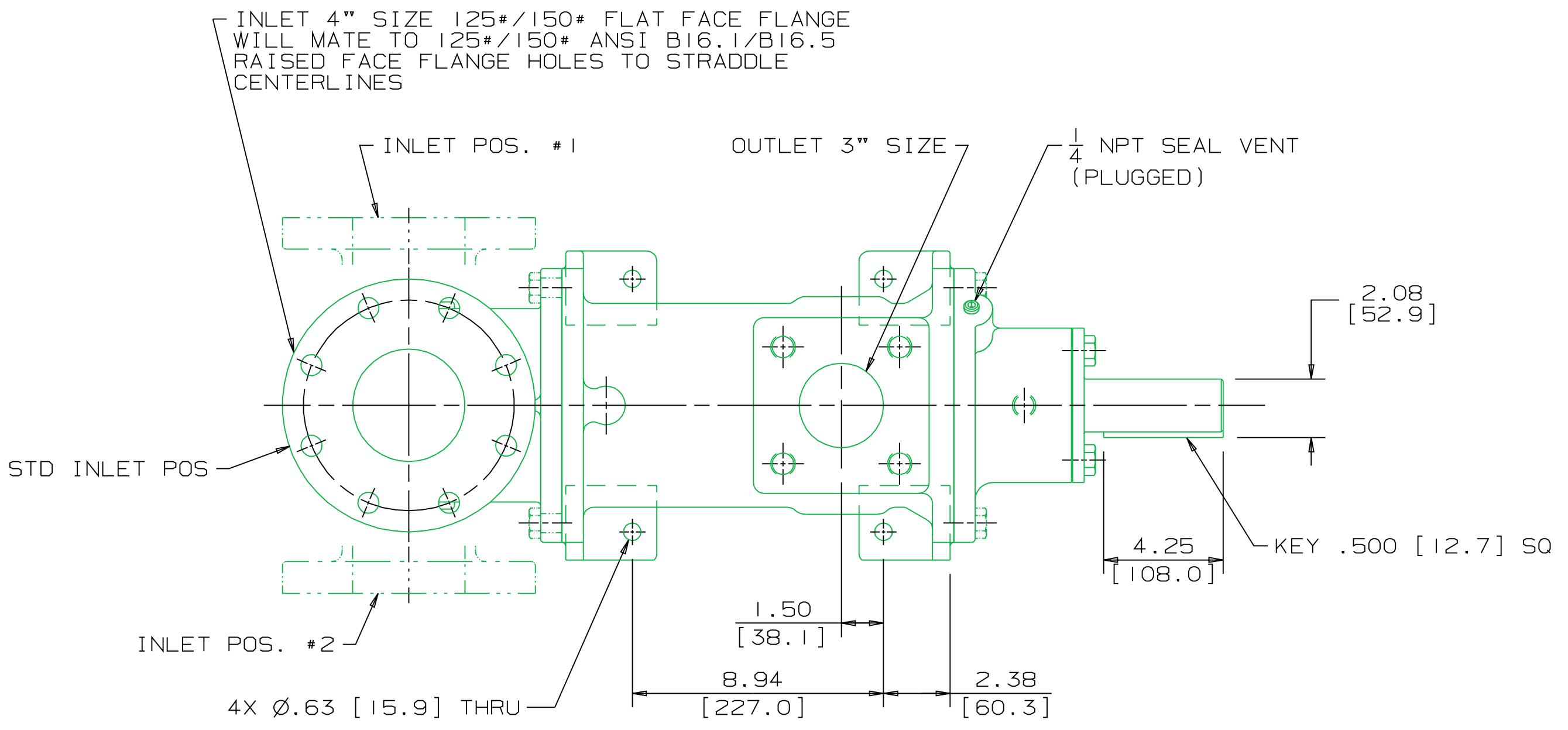


COORDINATE SYSTEM FOR MAXIMUM PUMP FORCES (F) AND MOMENTS (M)

INLET:
 FX=300 LBF [1330 N] MX=500 LB FT [678 N·m]
 FY=300 LBF [1330 N] MY=500 LB FT [678 N·m]
 FZ=300 LBF [1330 N] MZ=500 LB FT [678 N·m]

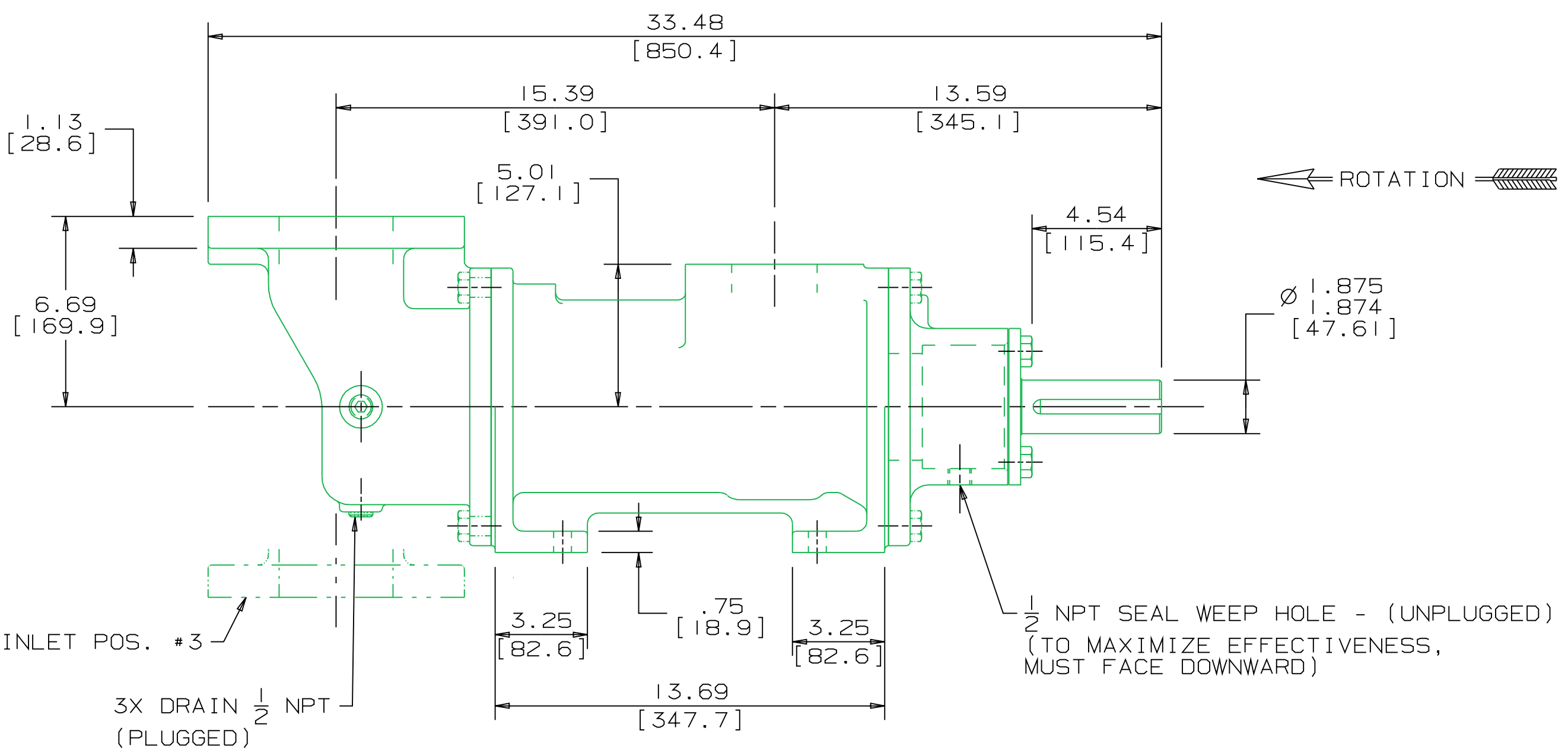
OUTLET:
 FX=225 LBF [1000 N] MX=375 LB FT [508 N·m]
 FY=225 LBF [1000 N] MY=375 LB FT [508 N·m]
 FZ=225 LBF [1000 N] MZ=375 LB FT [508 N·m]

FORCE AND MOMENT VALUES ARE RELATIVE TO CENTER OF INLET AND OUTLET PORT FACES.



- NOTES:
- UNLESS OTHERWISE SPECIFIED, ALL DIMENSIONS ARE IN INCHES. DIMENSIONS IN [] ARE MILLIMETERS.
 - TO MAXIMIZE SEAL LIFE, SEAL VENT MUST BE ORIENTED UPWARD (12 O'CLOCK) WHEN PUMP IS INSTALLED HORIZONTALLY. THIS IS NORMAL VENT ORIENTATION WHEN PUMP FEET ARE ORIENTED DOWNWARD. SEAL VENT ORIENTATION IS NOT CRITICAL WHEN PUMP IS INSTALLED WITH SHAFT VERTICALLY UPWARD.
 - PORT, FOOT, AND SEAL VENT ORIENTATIONS ARE SUPPLIED AS SHOWN ON DRAWING UNLESS OTHERWISE SPECIFIED.
 - ALTERNATE INLET PORT POSITIONS ARE PROVIDED IF SPECIFIED ON ORDER. AVAILABLE POSITIONS ARE: STANDARD, POSITION #1, POSITION #2 OR POSITION #3. ALL INLET PORT POSITIONS ARE RELATIVE TO OUTLET PORT.
 - ESTIMATED WEIGHT (WITHOUT PORT ADAPTERS) 246 LBS [111.6 kg].

DRAWING CERTIFICATION	
CUSTOMER NAME	-----
CUSTOMER PO NUMBER	-----
CUSTOMER PART NUMBER	-----
BOM NUMBER	-----
PUMP TYPE	-----
SHAFT ROTATION	-----
INLET PORT POSITION	-----
OUTLET PORT ADAPTER OPTION	-----
OTHER INFORMATION	
CERTIFIED BY	-----
CERTIFIED DATE	-----
IMO ORDER NUMBER	-----
DATA REVISION NUMBER	-----



FOOT MOUNT, RIGHT ANGLE INLET STEEL 3D-275

MATERIAL
 PROCESS
 COMMENTS:
 STANDARD ROTATION IS CLOCKWISE WHEN VIEWED FROM COUPLING END OF PUMP. SUCTION STRAINER AND DISCHARGE RELIEF VALVE MUST BE PROVIDED.
 ALIGNMENT:
 UNITS ARE ACCURATELY ALIGNED AT THE FACTORY. ALIGNMENT SHOULD BE CHECKED BEFORE STARTING TO ENSURE THAT IT IS STILL WITHIN .005 [0.13] F.W.
 PRESTARTING:
 FLUSH SUCTION PIPING BEFORE CONNECTING PUMP. PRIME AND VENT PUMP. DO NOT START PUMP WITH VALVES CLOSED. READ INSTRUCTION MANUAL FOR DETAILS BEFORE STARTING.

DRAWN	JTT 09-16-98	
CHECKED	MJC 09-16-98	
APPROVED	MJC 09-16-98	
<p>THIRD ANGLE PROJECTION</p>		<p>TITLE OUTLINE STANDARD (STEEL) G 3 D - S - 2 7 5 - -</p>
USED ON	5000906	<p>SIZE D</p>
SCALE	1/4	<p>CAGE CODE 59180</p>
WEIGHT	SEE NOTE 5	<p>DWG NO SDD 1954 1</p>
SHEET	1	<p>OF 1</p>