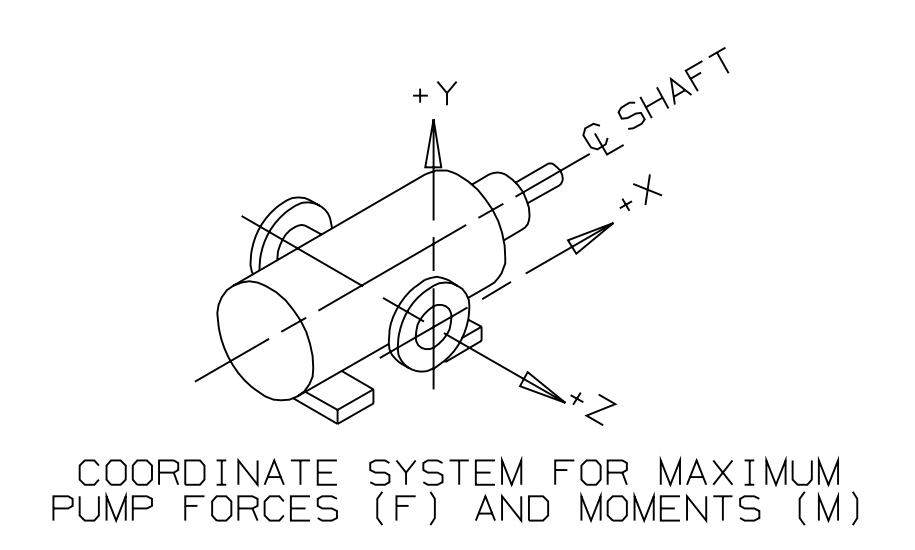
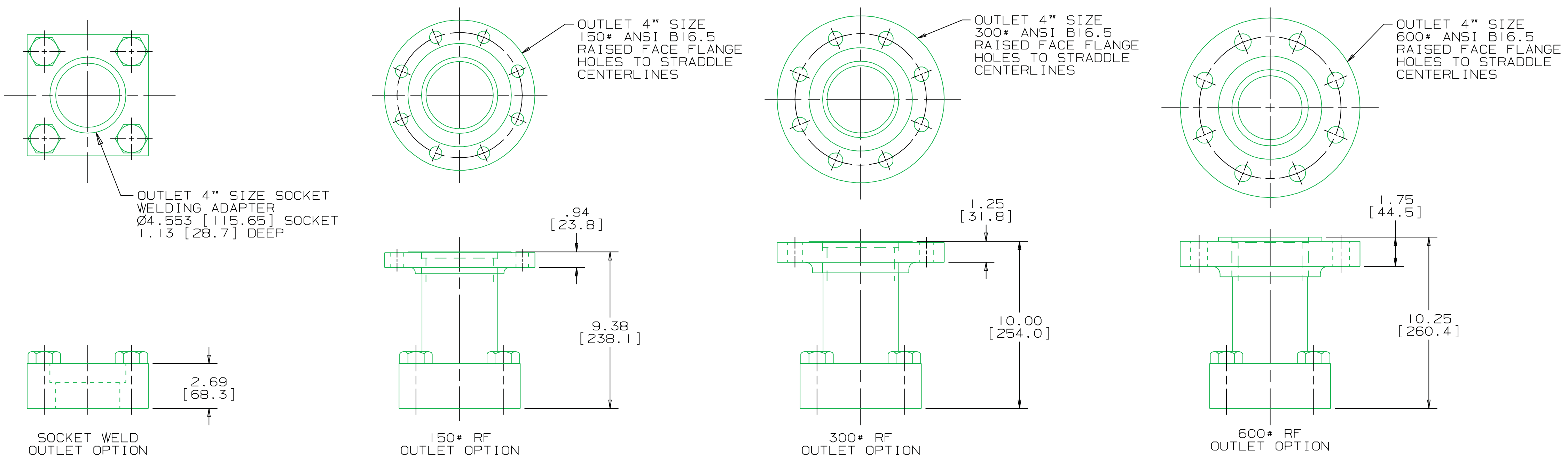


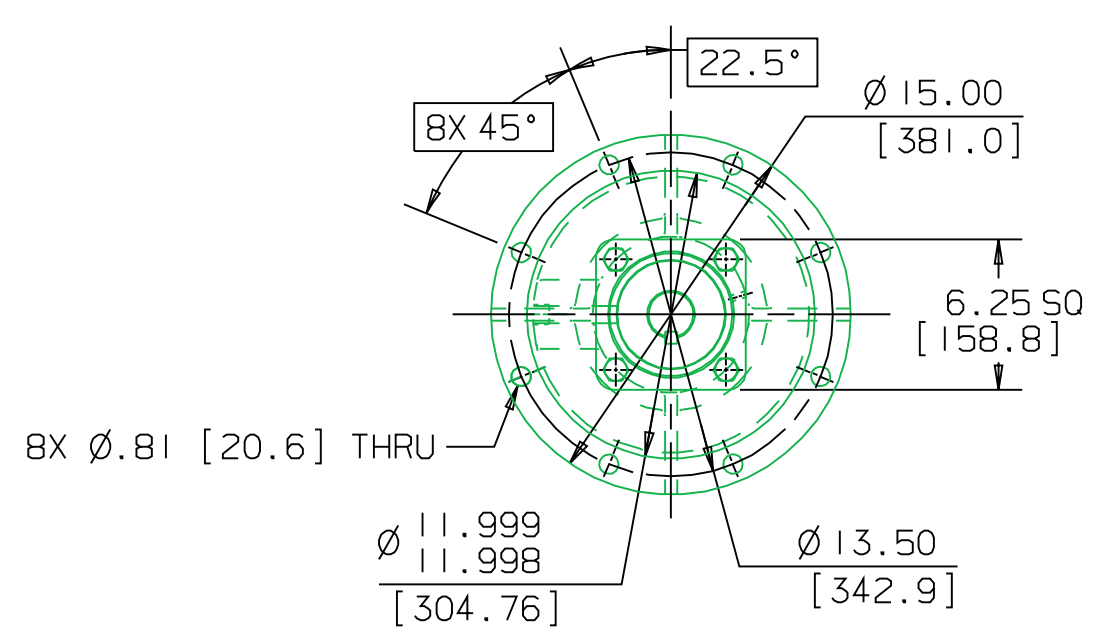
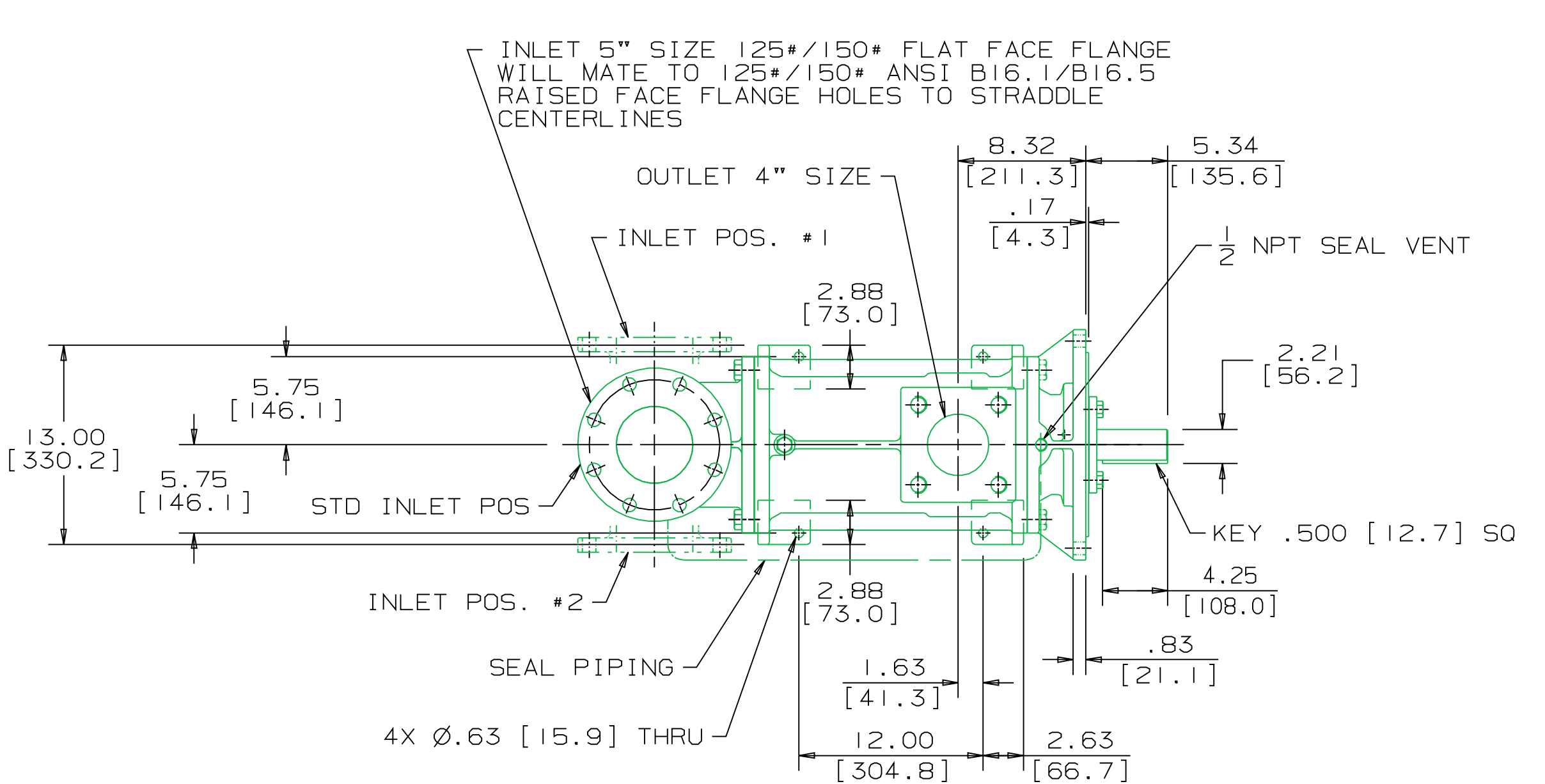
REVISION HISTORY					
CHG NO	ZONE	REV	DESCRIPTION	DATE	BY / APPROVED
00-0579	ALL	1	UPDATED TO CURRENT STANDARDS	12-19-00	DMM / DMM



INLET:  
 FX=375 LBF [1670 N]    MX= 625 LB FT [847 N·m]  
 FY=375 LBF [1670 N]    MY= 625 LB FT [847 N·m]  
 FZ=375 LBF [1670 N]    MZ= 625 LB FT [847 N·m]

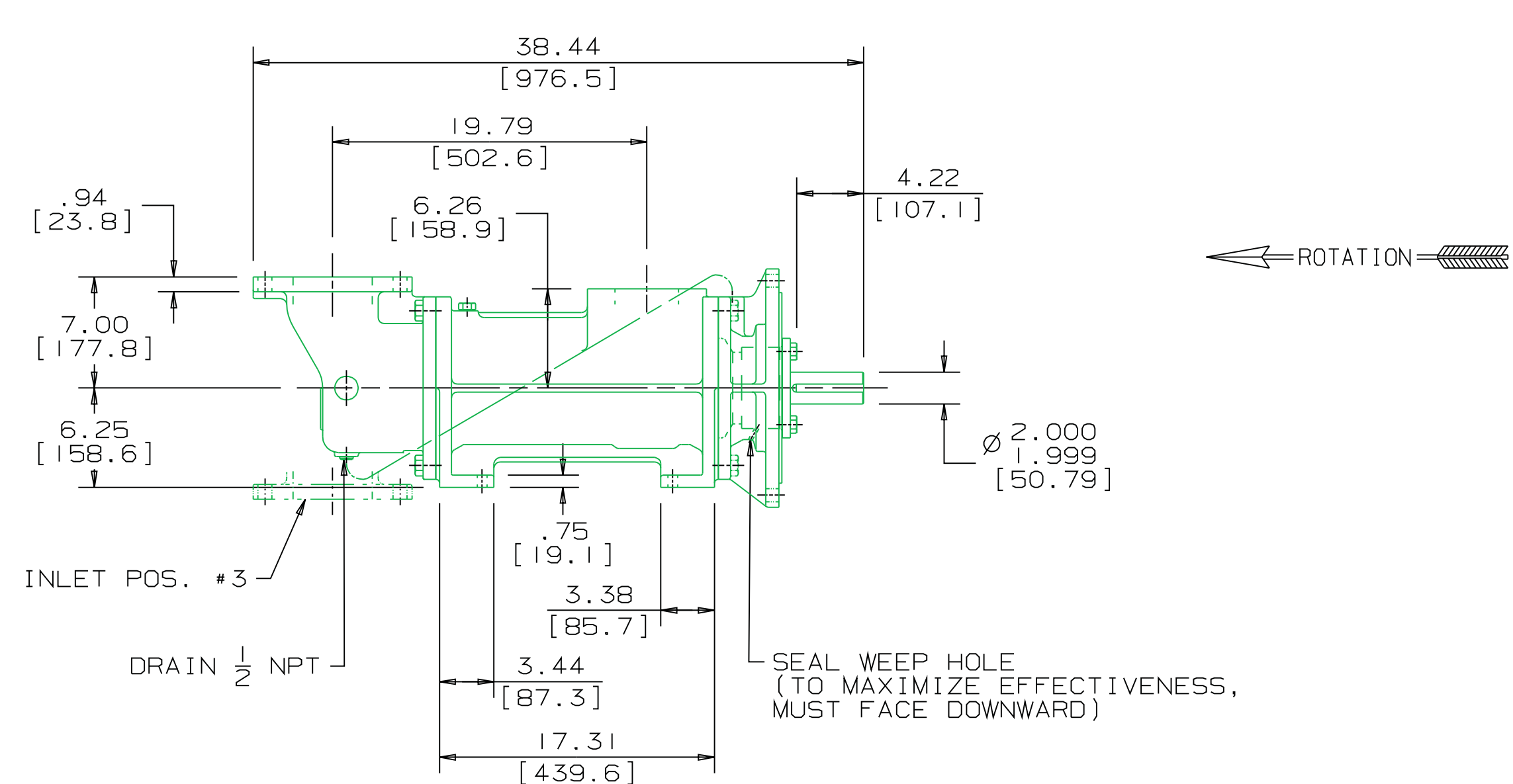
OUTLET:  
 FX=300 LBF [1330 N]    MX= 500 LB FT [678 N·m]  
 FY=300 LBF [1330 N]    MY= 500 LB FT [678 N·m]  
 FZ=300 LBF [1330 N]    MZ= 500 LB FT [678 N·m]

FORCE AND MOMENT VALUES ARE RELATIVE TO CENTER OF INLET AND OUTLET PORT FACES.



- NOTES:
- UNLESS OTHERWISE SPECIFIED, ALL DIMENSIONS ARE IN INCHES. DIMENSIONS IN [ ] ARE MILLIMETERS.
  - TO MAXIMIZE SEAL LIFE, SEAL VENT MUST BE ORIENTED UPWARD (12 O'CLOCK) WHEN PUMP IS INSTALLED HORIZONTALLY. THIS IS NORMAL VENT ORIENTATION WHEN PUMP FEET ARE ORIENTED DOWNWARD. SEAL VENT ORIENTATION IS NOT CRITICAL WHEN PUMP IS INSTALLED WITH SHAFT VERTICALLY UPWARD.
  - PORT, FOOT, AND SEAL VENT ORIENTATIONS ARE SUPPLIED AS SHOWN ON DRAWING UNLESS OTHERWISE SPECIFIED.
  - ALTERNATE INLET PORT POSITIONS ARE PROVIDED IF SPECIFIED ON ORDER. AVAILABLE POSITIONS ARE: STANDARD, POSITION #1, POSITION #2 OR POSITION #3. ALL INLET PORT POSITIONS ARE RELATIVE TO OUTLET PORT.
  - ESTIMATED WEIGHT (WITHOUT PORT ADAPTERS) 520 LBS [235.9 kg].

DRAWING CERTIFICATION	
CUSTOMER NAME	-----
CUSTOMER PO NUMBER	-----
CUSTOMER PART NUMBER	-----
BOM NUMBER	-----
PUMP TYPE	-----
SHAFT ROTATION	-----
INLET PORT POSITION	-----
OUTLET PORT ADAPTER OPTION	-----
OTHER INFORMATION	
CERTIFIED BY	-----
CERTIFIED DATE	-----
IMO ORDER NUMBER	-----
DATA REVISION NUMBER	-----



FACE MOUNT, RIGHT ANGLE INLET  
 STEEL 3D-337/350

MATERIAL		DRAWN	JTT 08-08-97	
PROCESS		CHECKED	MJC 8-11-97	
		APPD	MJC 8-11-97	
COMMENTS:	STANDARD ROTATION IS CLOCKWISE WHEN VIEWED FROM COUPLING END OF PUMP. SUCTION STRAINER AND DISCHARGE RELIEF VALVE MUST BE PROVIDED. UNITS ARE ACCURATELY ALIGNED AT THE FACTORY. ALIGNMENT SHOULD BE CHECKED BEFORE STARTING TO ENSURE THAT IT IS STILL WITHIN .005 [0.13] FTW. PRESTARTING: FLUSH SUCTION PIPING BEFORE CONNECTING PUMP. PRIME AND VENT PUMP. DO NOT START PUMP WITH VALVES CLOSED. READ INSTRUCTION MANUAL FOR DETAILS BEFORE STARTING.			
TITLE	OUTLINE STANDARD (STEEL)			
	3D_CS--337/350--			
THIRD ANGLE PROJECTION	FIRST ORDER	SIZE	CAGE CODE	DWG NO
3 2 2 2 / 0 3 3	813745	D	59180	SDD19115
SCALE	1/8	WEIGHT	SEE NOTE 5	SHEET 1 OF 1