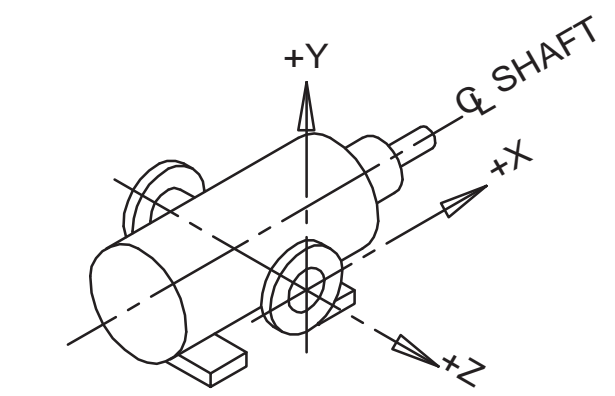
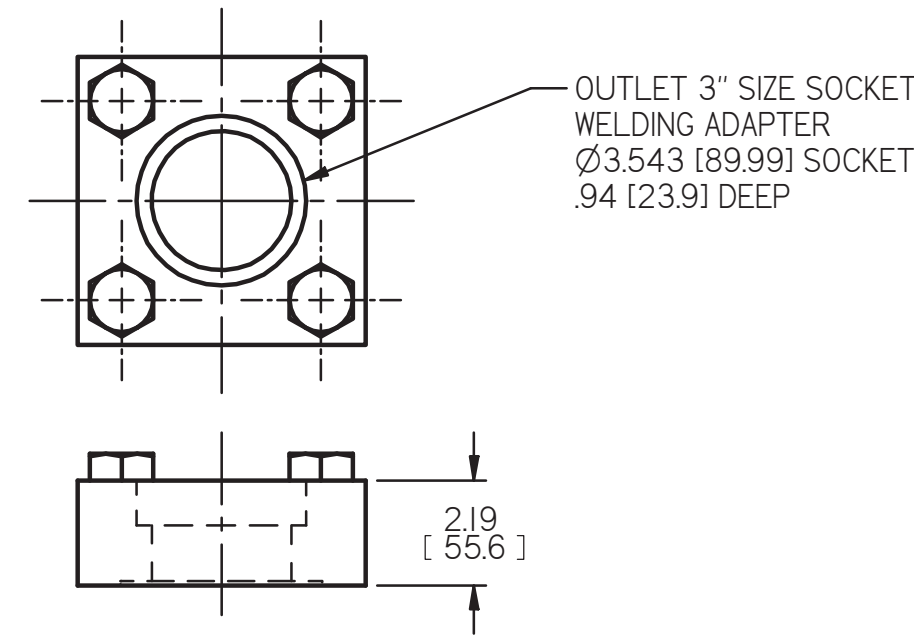


REVISION HISTORY					
CHG NO	ZONE	REV	DESCRIPTION	DATE	BY / APPROVED
16-0212	A1,A2	2	TITLE WAS "AG3D_S_-312_"	5-3-16	ERH / CHH

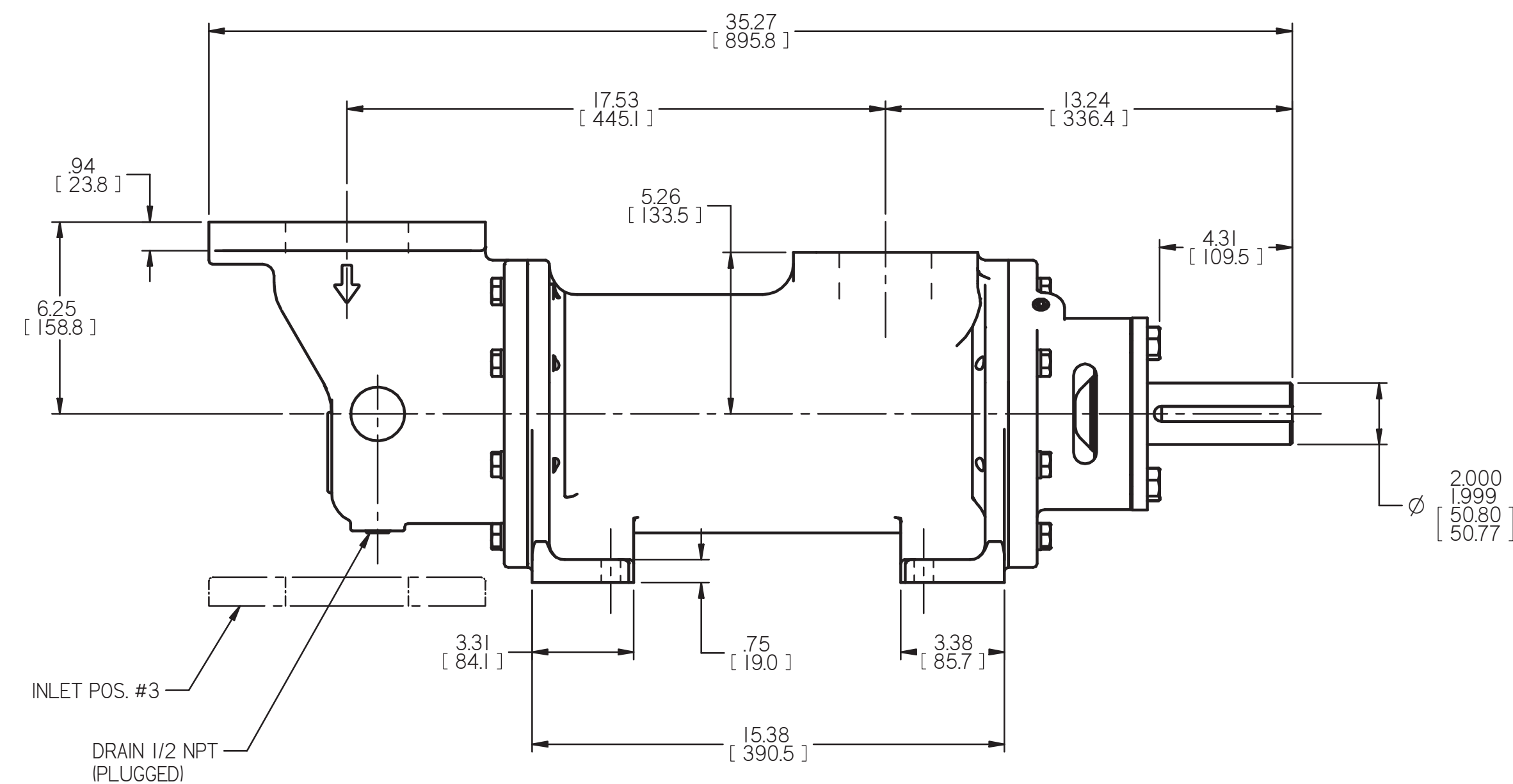
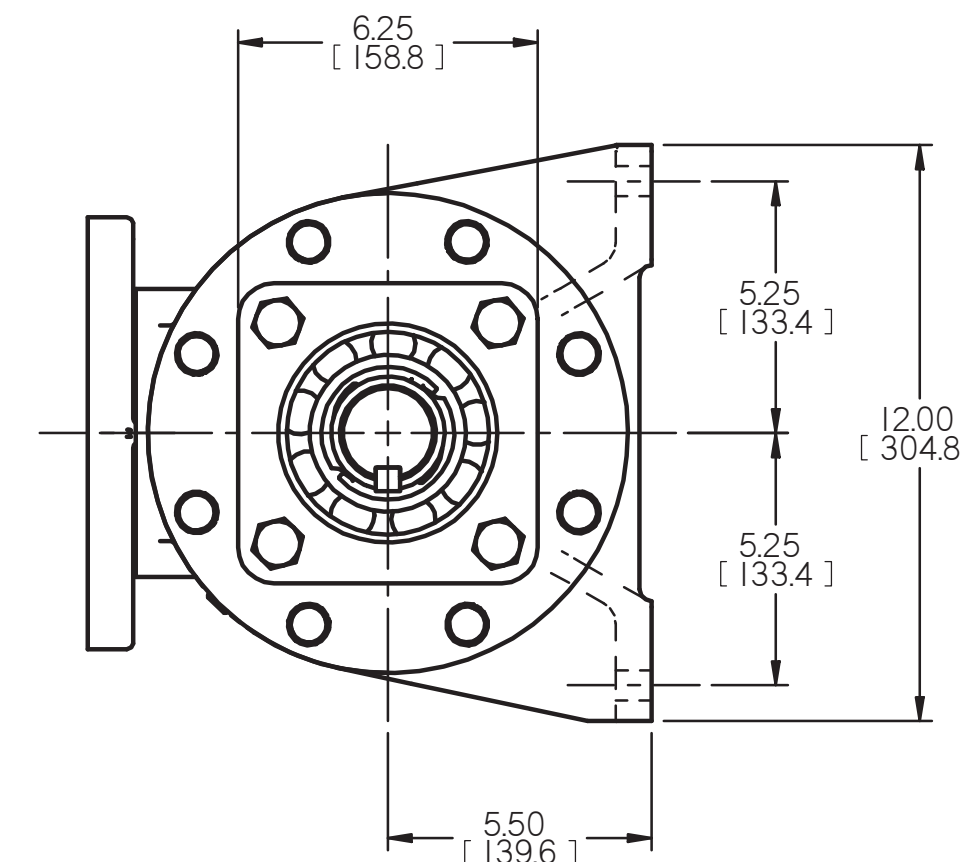
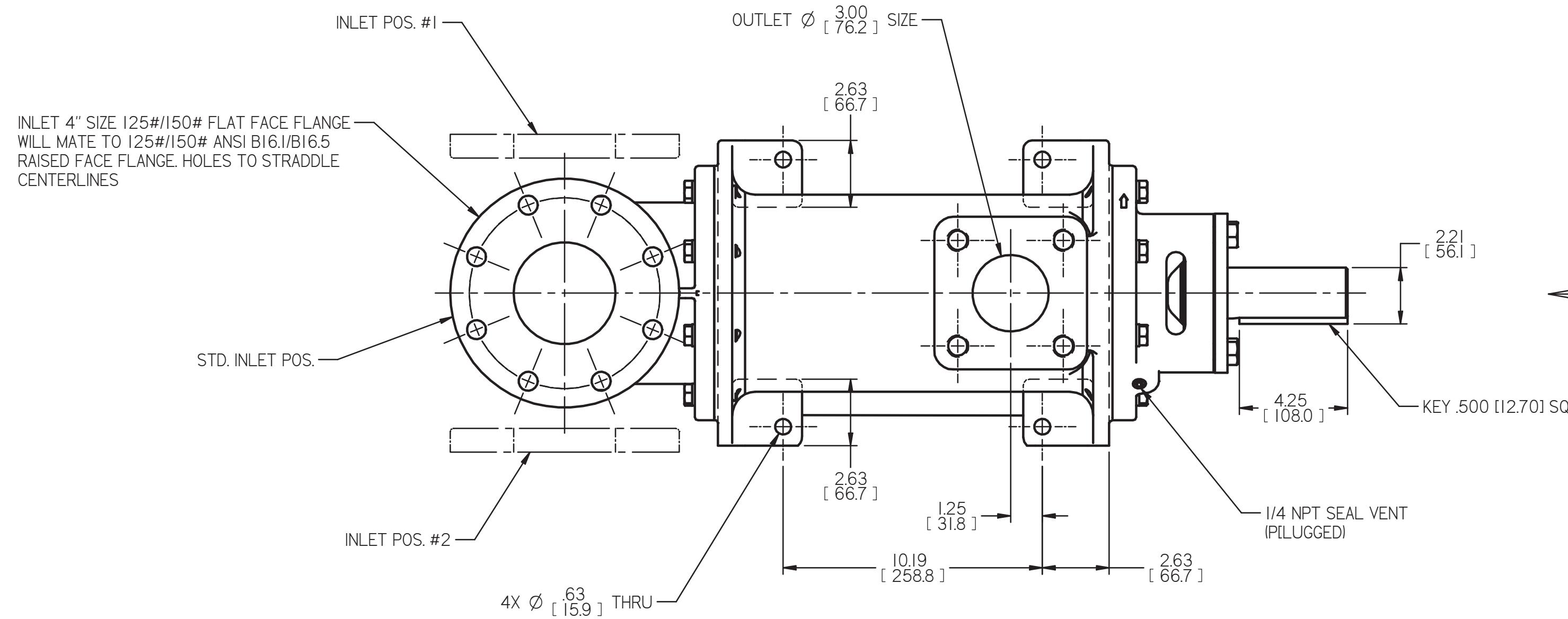


COORDINATE SYSTEM FOR MAXIMUM PUMP FORCES (F) AND MOMENTS (M)

INLET:  
FX= 300 LBF [1330 N]    MX= 500 LB FT [678 N.m]  
FY= 300 LBF [1330 N]    MY= 500 LB FT [678 N.m]  
FZ= 300 LBF [1330 N]    MZ= 500 LB FT [678 N.m]

OUTLET:  
FX= 225 LBF [1000 N]    MX= 375 LB FT [508 N.m]  
FY= 225 LBF [1000 N]    MY= 375 LB FT [508 N.m]  
FZ= 225 LBF [1000 N]    MZ= 375 LB FT [508 N.m]

FORCE AND MOMENT VALUES ARE RELATIVE TO CENTER OF INLET AND OUTLET PORT FACES.



NOTES:

- UNLESS OTHERWISE SPECIFIED, ALL DIMENSIONS ARE IN INCHES. DIMENSIONS IN [ ] ARE MILLIMETERS.
- TO MAXIMIZE SEAL LIFE, SEAL VENT MUST BE ORIENTED UPWARD (12 O'CLOCK) WHEN PUMP IS INSTALLED HORIZONTALLY. THIS IS NORMAL VENT ORIENTATION WHEN PUMP FEET ARE ORIENTED DOWNWARD. SEAL VENT ORIENTATION IS NOT CRITICAL WHEN PUMP IS INSTALLED WITH SHAFT VERTICALLY UPWARD.
- PORT, FOOT, AND SEAL VENT ORIENTATIONS ARE SUPPLIED AS SHOWN ON DRAWING UNLESS OTHERWISE SPECIFIED.
- ALTERNATE INLET PORT POSITIONS ARE PROVIDED IF SPECIFIED ON ORDER. AVAILABLE POSITIONS ARE: STANDARD, POSITION #1, POSITION #2 OR POSITION #3. ALL INLET PORT POSITIONS ARE RELATIVE TO OUTLET PORT.
- ESTIMATED WEIGHT (WITHOUT PORT ADAPTERS)  
281 LBS [127.5 kg].

DRAWING CERTIFICATION	
CUSTOMER NAME	-----
CUSTOMER PO NUMBER	-----
CUSTOMER PART NUMBER	-----
BOM NUMBER	-----
PUMP TYPE	-----
SHAFT ROTATION	-----
INLET PORT POSITION	-----
OUTLET PORT ADAPTER OPTION	-----
OTHER INFORMATION	
CERTIFIED BY	-----
CERTIFIED DATE	-----
IMO ORDER NUMBER	-----
DATA REVISION NUMBER	-----

DRAWN	CDH	8-4-97	<b>CIRCOR</b>   <b>IMO</b>	TITLE <b>OUTLINE STANDARD</b> <b>_G3D_(SI)-312_</b>
CHECKED	BMR	8-6-97		
APPD	MJC	8-6-97		
MATERIAL	UNLESS OTHERWISE SPECIFIED ASME Y14.5M-1994.		TITLE	OUTLINE STANDARD
PROCESS	COMMENTS: SUCTION STRAINER AND DISCHARGE RELIEF VALVE MUST BE PROVIDED. ALIGNMENT: UNITS ARE ACCURATELY ALIGNED AT THE FACTORY. ALIGNMENT SHOULD BE CHECKED BEFORE STARTING TO ENSURE THAT IT IS STILL WITHIN .005 (0.13) MM. PRE-STARTING: FLUSH SUCTION PIPING BEFORE CONNECTING PUMP. PRIME AND VENT PUMP. READ INSTRUCTION MANUAL FOR DETAILS BEFORE STARTING. USED ON		SIZE	<b>D</b>
	FIRST ORDER	813670	CAGE CODE	59180
	3220/153		DWG NO	SDD19108
	SCALE	1/4	WEIGHT	SEE NOTE 5
			SHEET	1 OF 1