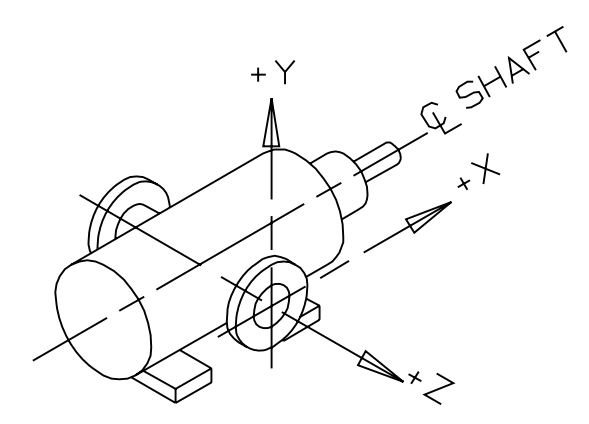
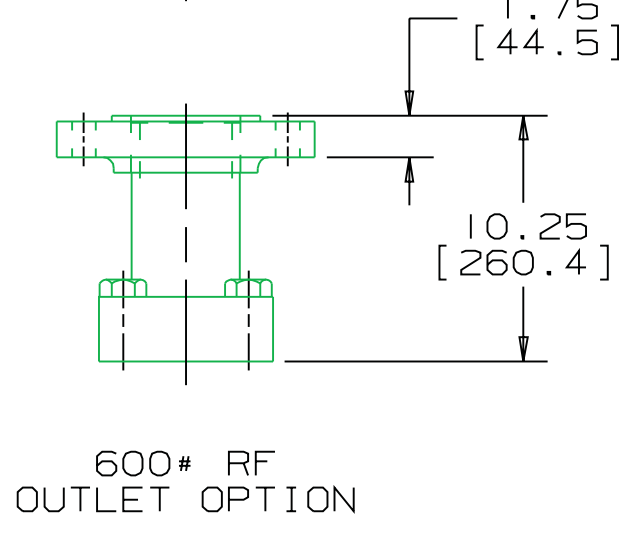
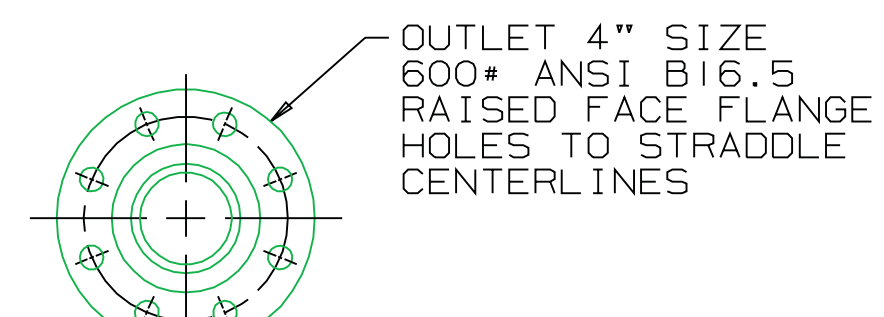
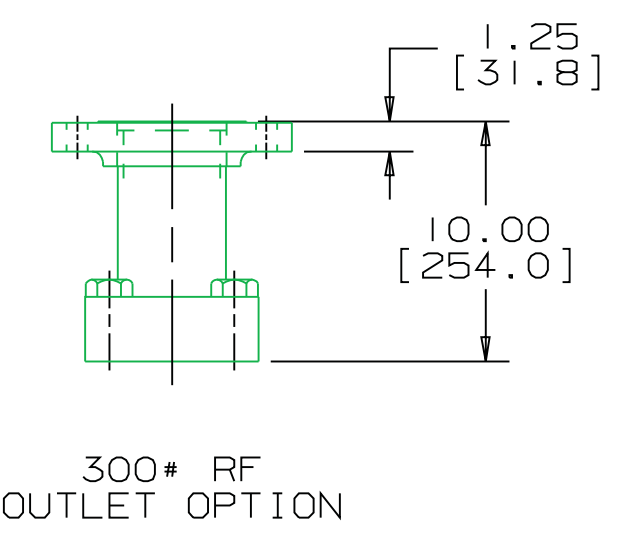
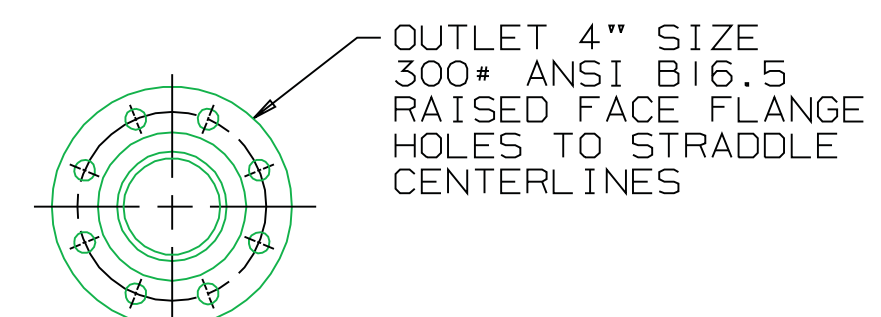
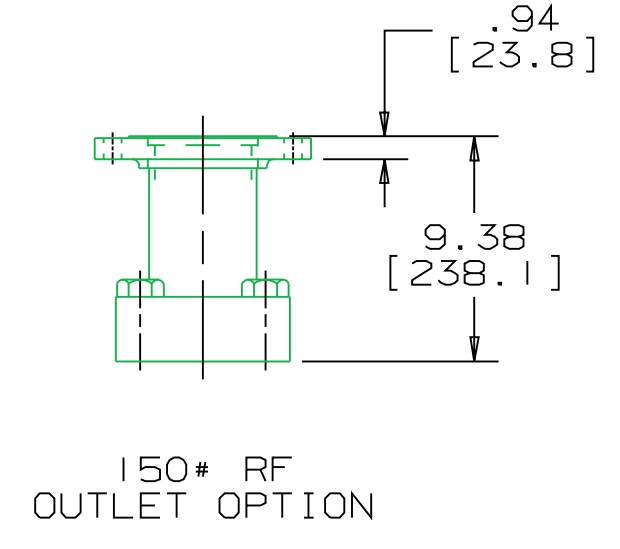
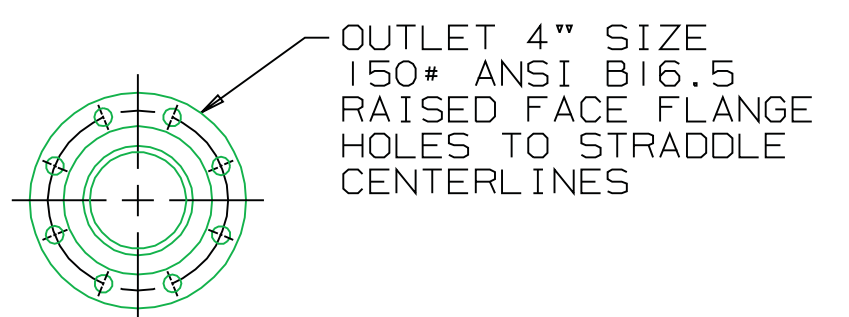
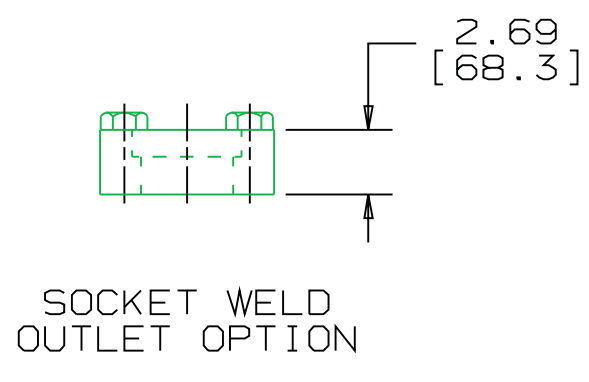
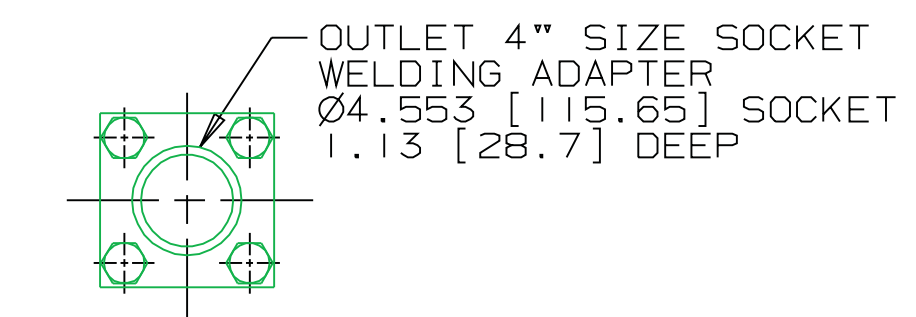


| REVISION HISTORY | | | | | |
|------------------|------|-----|------------------------------|----------|---------------|
| CHG NO | ZONE | REV | DESCRIPTION | DATE | BY / APPROVED |
| 00-0579 | ALL | 1 | UPDATED TO CURRENT STANDARDS | 12-18-00 | DMM / DMM |



COORDINATE SYSTEM FOR MAXIMUM PUMP FORCES (F) AND MOMENTS (M)

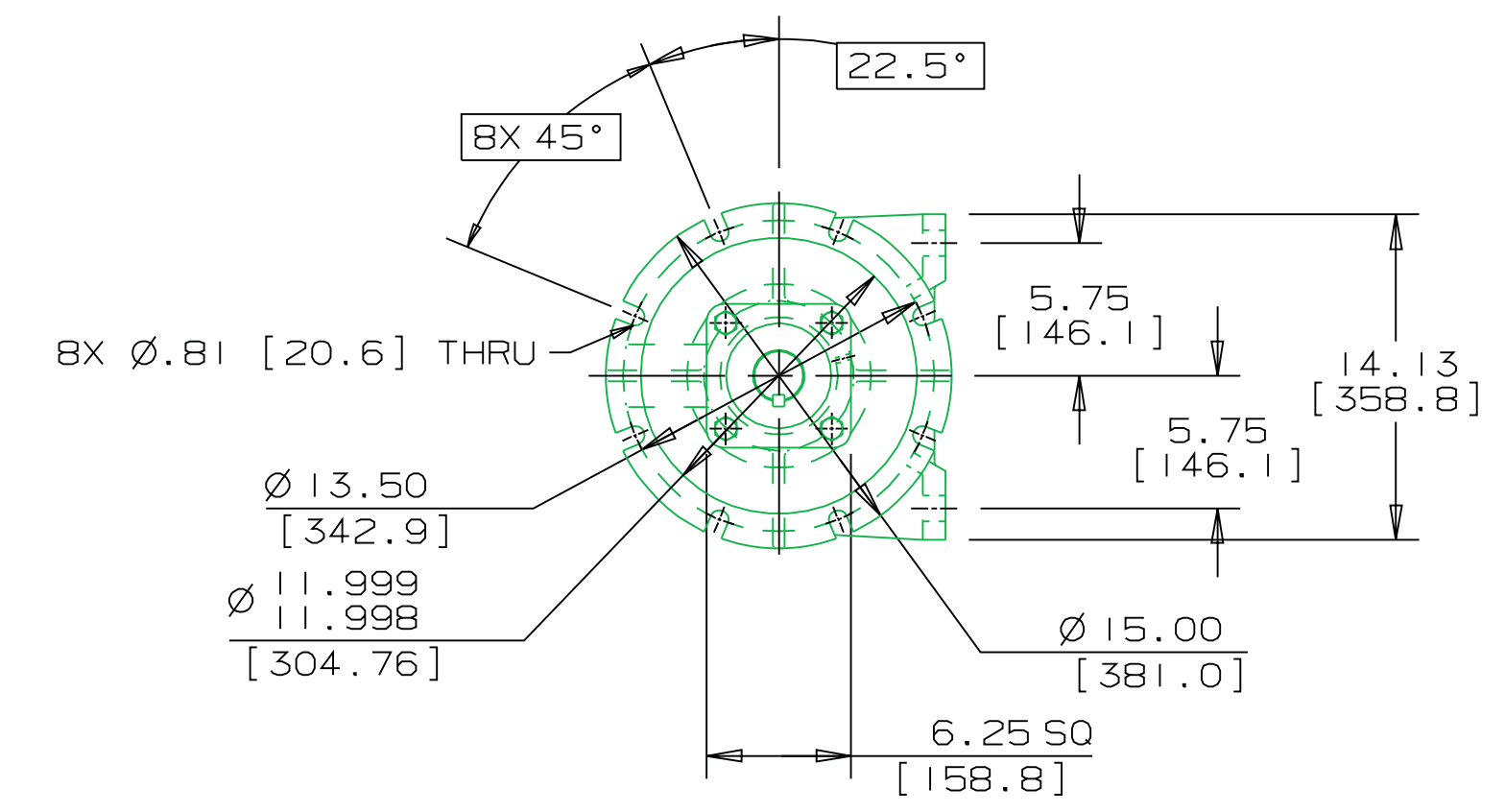
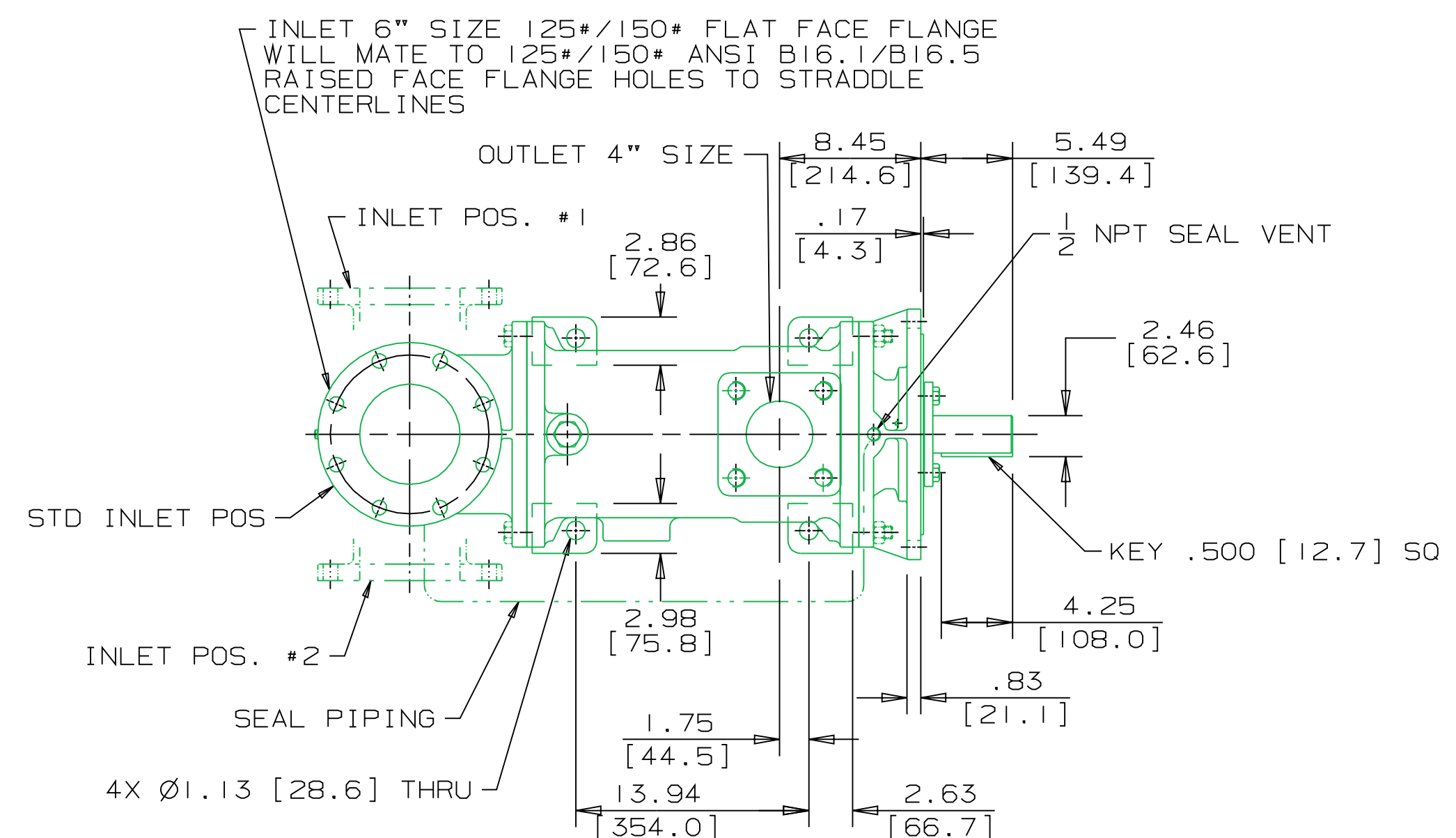
INLET:

| | |
|---------------------|-------------------------|
| FX=450 LBF [2000 N] | MY=750 LB FT [1020 N·m] |
| FY=450 LBF [2000 N] | MZ=750 LB FT [1020 N·m] |
| FZ=450 LBF [2000 N] | |

OUTLET:

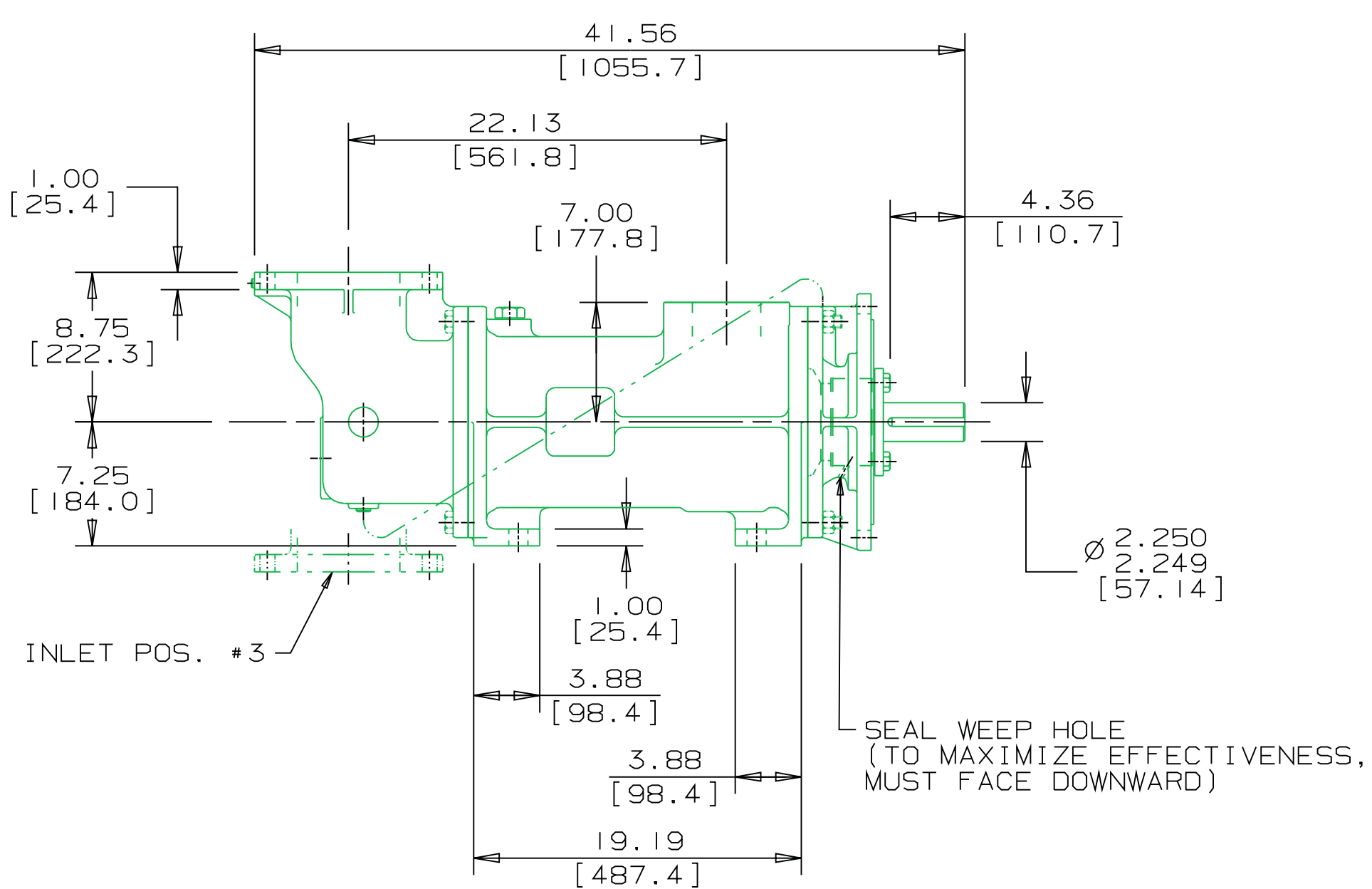
| | |
|---------------------|------------------------|
| FX=300 LBF [1330 N] | MY=500 LB FT [678 N·m] |
| FY=300 LBF [1330 N] | MZ=500 LB FT [678 N·m] |
| FZ=300 LBF [1330 N] | |

FORCE AND MOMENT VALUES ARE RELATIVE TO CENTER OF INLET AND OUTLET PORT FACES.



- NOTES:
- UNLESS OTHERWISE SPECIFIED, ALL DIMENSIONS ARE IN INCHES. DIMENSIONS IN [] ARE MILLIMETERS.
 - TO MAXIMIZE SEAL LIFE, SEAL VENT MUST BE ORIENTED UPWARD (12 O'CLOCK) WHEN PUMP IS INSTALLED HORIZONTALLY. THIS IS NORMAL VENT ORIENTATION WHEN PUMP FEET ARE ORIENTED DOWNWARD. SEAL VENT ORIENTATION IS NOT CRITICAL WHEN PUMP IS INSTALLED WITH SHAFT VERTICALLY UPWARD.
 - PORT, FOOT, AND SEAL VENT ORIENTATIONS ARE SUPPLIED AS SHOWN ON DRAWING UNLESS OTHERWISE SPECIFIED.
 - ALTERNATE INLET PORT POSITIONS ARE PROVIDED IF SPECIFIED ON ORDER. AVAILABLE POSITIONS ARE: STANDARD, POSITION #1, POSITION #2 OR POSITION #3. ALL INLET PORT POSITIONS ARE RELATIVE TO OUTLET PORT.
 - ESTIMATED WEIGHT (WITHOUT PORT ADAPTERS) 775 LBS [351.5 kg].

| DRAWING CERTIFICATION | |
|----------------------------|-------|
| CUSTOMER NAME | ----- |
| CUSTOMER PO NUMBER | ----- |
| CUSTOMER PART NUMBER | ----- |
| BOM NUMBER | ----- |
| PUMP TYPE | ----- |
| SHAFT ROTATION | ----- |
| INLET PORT POSITION | ----- |
| OUTLET PORT ADAPTER OPTION | ----- |
| OTHER INFORMATION | |
| CERTIFIED BY | ----- |
| CERTIFIED DATE | ----- |
| IMO ORDER NUMBER | ----- |
| DATA REVISION NUMBER | ----- |



FACE MOUNT, RIGHT ANGLE INLET
STEEL 3D-400

| | | | | |
|---|-------------|--------|---|--------------|
| DRAWN | DMM | 7-3-97 | | |
| CHECKED | MJC | 7-7-97 | | |
| APPD | MJC | 7-7-97 | | |
| PROCESS | METHODS | | | |
| COMMENTS: STANDARD ROTATION IS CLOCKWISE WHEN VIEWED FROM COUPLING END OF PUMP. SUCTION STRAINER AND DISCHARGE RELIEF VALVE MUST BE PROVIDED. ALIGNMENT: UNITS ARE ACCURATELY ALIGNED AT THE FACTORY. ALIGNMENT SHOULD BE CHECKED BEFORE STARTING TO ENSURE THAT IT IS STILL WITHIN .005 [0.13] F.W. PRESTARTING: FLUSH SUCTION PIPING BEFORE CONNECTING PUMP. PRIME AND VENT PUMP. DO NOT START PUMP WITH VALVES CLOSED. READ INSTRUCTION MANUAL FOR DETAILS BEFORE STARTING. | | | TITLE OUTLINE STANDARD (STEEL) AG3D_CS--400-- | |
| THIRD ANGLE PROJECTION | FIRST ORDER | SIZE | CAGE CODE | DWG NO |
| | | D | 59180 | SDD19085 |
| USED ON | SCALE | WEIGHT | SEE NOTE 5 | SHEET 1 OF 1 |
| 3225/238 | 1/8 | | | |