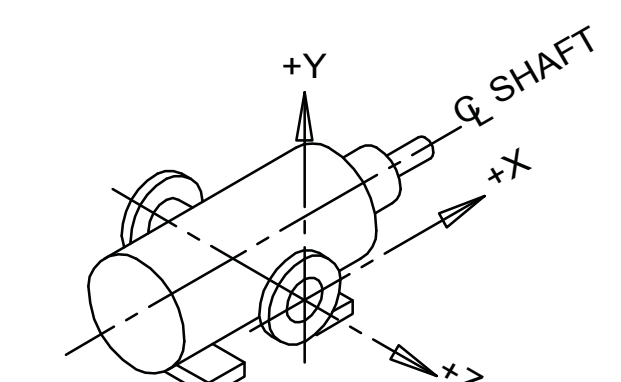
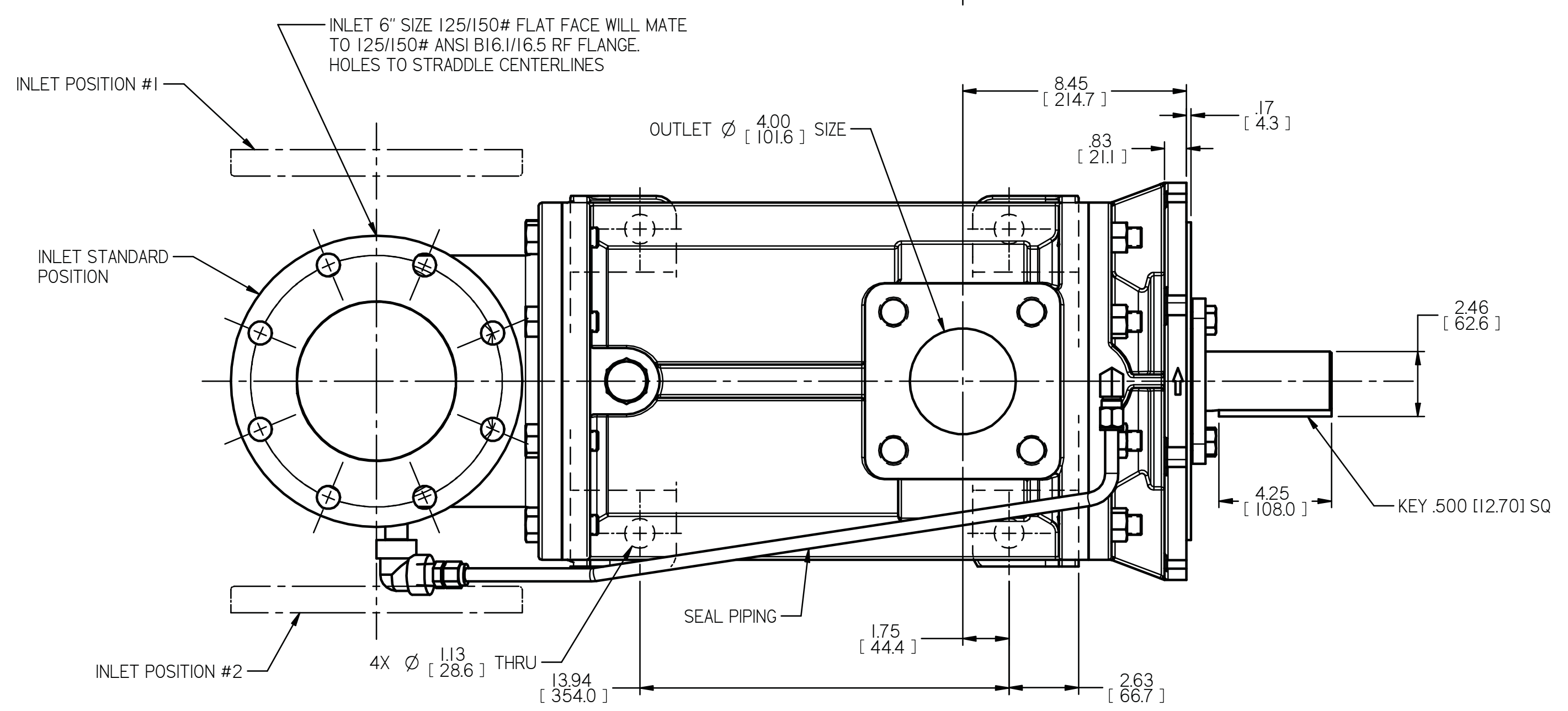
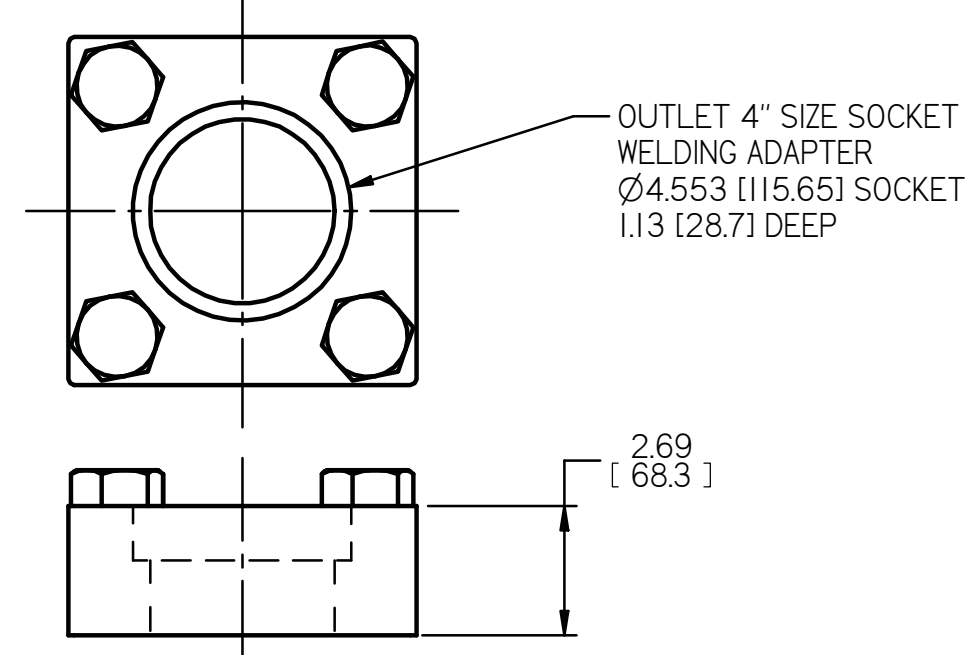


REVISION HISTORY						
CHG NO	ZONE	REV	DESCRIPTION	DATE	BY	APPROVED
13-0130	ALL	2	UPDATED AND REVISED ON CAD	4-10-13	ERH	CHH

DRAWING CERTIFICATION	
CUSTOMER NAME	-----
CUSTOMER PO NUMBER	-----
CUSTOMER PART NUMBER	-----
BOM NUMBER	-----
PUMP TYPE	-----
SHAFT ROTATION	-----
INLET PORT POSITION	-----
OUTLET ADAPTER OPTION	-----
OTHER INFORMATION	
CERTIFIED BY	-----
CERTIFIED DATE	-----
IMO ORDER NUMBER	-----
DATA REVISION NUMBER	-----

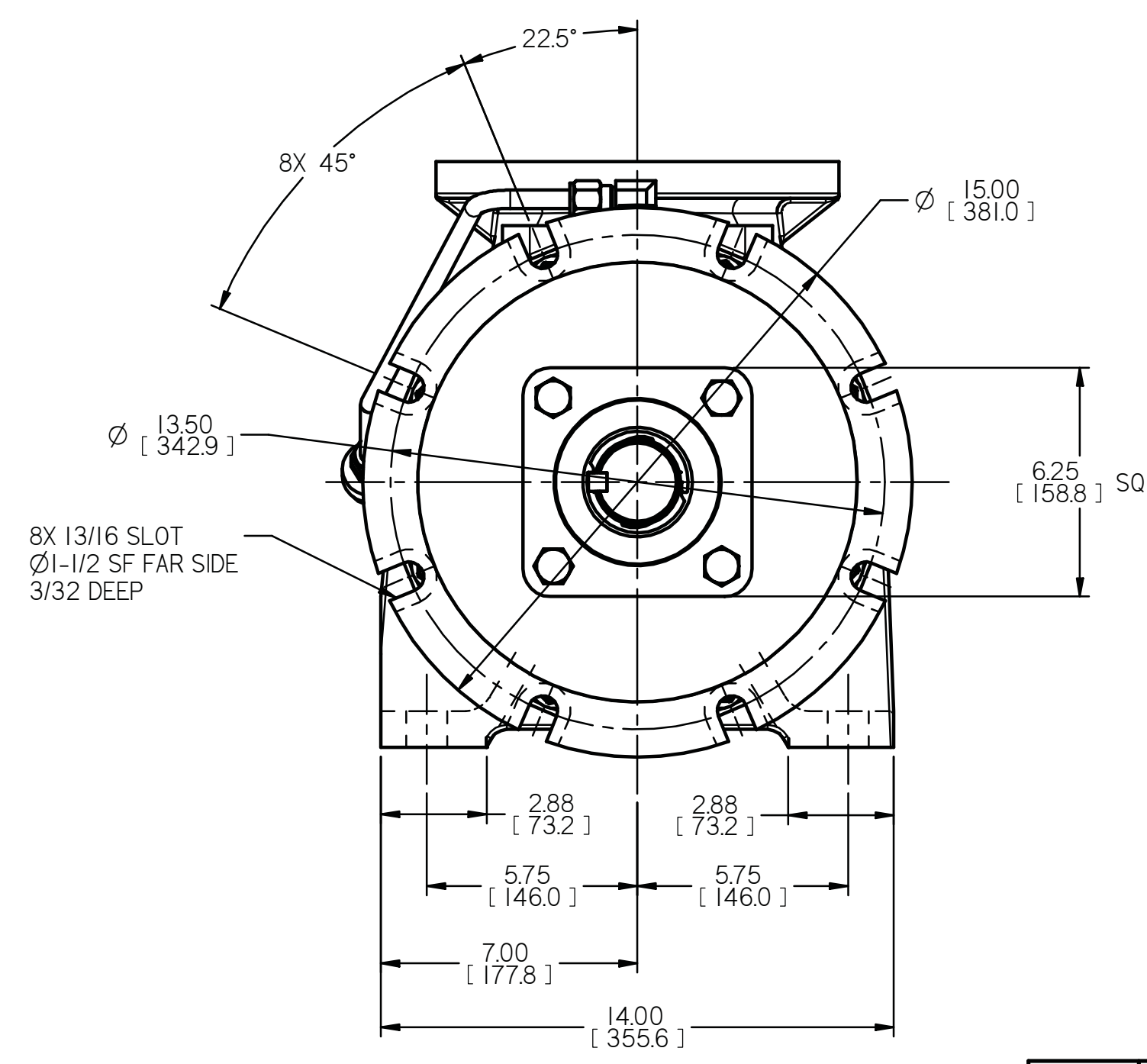
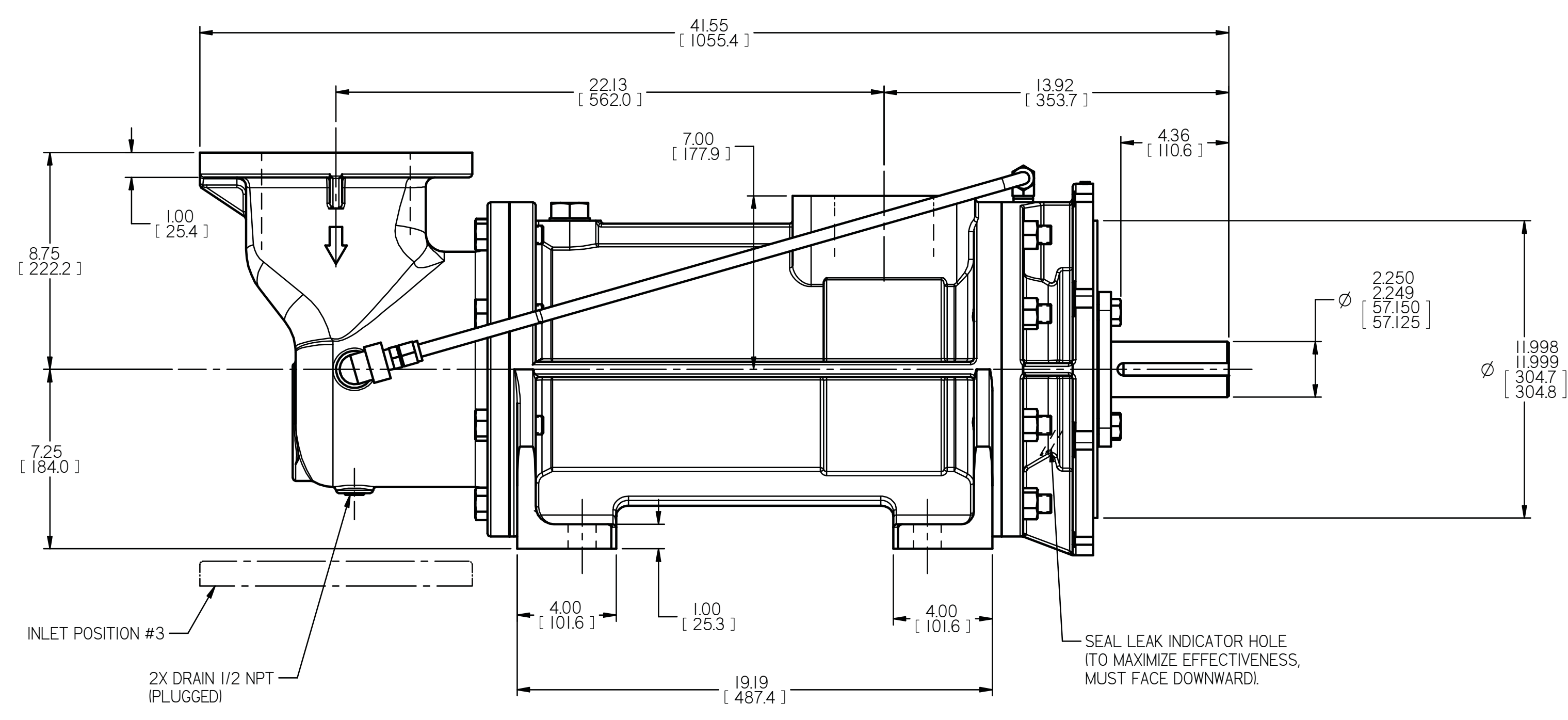


INLET:
 FX= 450 LBF [2000 N] MX= 750 LB FT [1020 N.m]
 FY= 450 LBF [2000 N] MY= 750 LB FT [1020 N.m]
 FZ= 450 LBF [2000 N] MZ= 750 LB FT [1020 N.m]

OUTLET:
 FX= 300 LBF [1330 N] MX= 500 LB FT [678 N.m]
 FY= 300 LBF [1330 N] MY= 500 LB FT [678 N.m]
 FZ= 300 LBF [1330 N] MZ= 500 LB FT [678 N.m]

FORCE AND MOMENT VALUES ARE RELATIVE TO CENTER OF INLET AND OUTLET PORT FACES.

- NOTES:
- UNLESS OTHERWISE SPECIFIED, ALL DIMENSIONS ARE IN INCHES. DIMENSIONS IN [] ARE MILLIMETERS.
 - TO MAXIMIZE SEAL LIFE, SEAL VENT MUST BE ORIENTED UPWARD (12 O'CLOCK) WHEN PUMP IS INSTALLED HORIZONTALLY. THIS IS NORMAL VENT ORIENTATION WHEN PUMP FEET ARE ORIENTED DOWNWARD. SEAL VENT ORIENTATION IS NOT CRITICAL WHEN PUMP IS INSTALLED WITH SHAFT VERTICALLY UPWARD.
 - PORT, FOOT, AND SEAL VENT ORIENTATIONS ARE SUPPLIED AS SHOWN ON DRAWING UNLESS OTHERWISE SPECIFIED.
 - ALTERNATE INLET PORT POSITIONS ARE PROVIDED IF SPECIFIED ON ORDER. AVAILABLE POSITIONS ARE: STANDARD, POSITION #1, POSITION #2 OR POSITION #3. ALL INLET PORT POSITIONS ARE RELATIVE TO OUTLET PORT.
 - ESTIMATED WEIGHT (WITHOUT PORT ADAPTERS)



DRAWN	JTT	8-23-12
CHECKED	MJC	8-29-12
APPD	MJC	8-29-12

UNLESS OTHERWISE SPECIFIED
 ASME Y14.5M-1994.

COMMENTS:
 SUCTION STRAINER AND DISCHARGE RELIEF VALVE MUST BE PROVIDED.
 ALIGNMENT:
 UNITS ARE ACCURATELY ALIGNED AT THE FACTORY. ALIGNMENT SHOULD BE CHECKED BEFORE STARTING TO ENSURE THAT IT IS STILL WITHIN .005 (0.13) MM.
 PRE-STARTING:
 FLUSH SUCTION PIPING BEFORE CONNECTING PUMP. PRIME AND VENT PUMP. READ INSTRUCTION MANUAL FOR DETAILS BEFORE STARTING.
 USED ON



TITLE OUTLINE STANDARD AG3D_C_-400_			
SIZE D	CAGE CODE 59180	DWG NO. SDD18942	
3225/239		SCALE 1/4	WEIGHT 626 LBS [284kg]

D
C
B
A

D
C
B
A

8
7
6
5
4
3
2
1

8
7
6
5
4
3
2
1

8
7
6
5
4
3
2
1

8
7
6
5
4
3
2
1

8
7
6
5
4
3
2
1

8
7
6
5
4
3
2
1

8
7
6
5
4
3
2
1

8
7
6
5
4
3
2
1