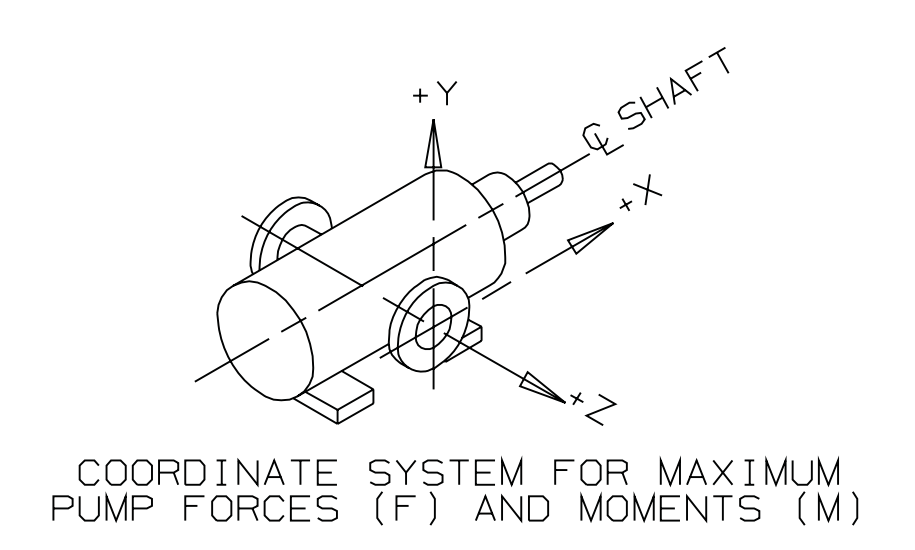
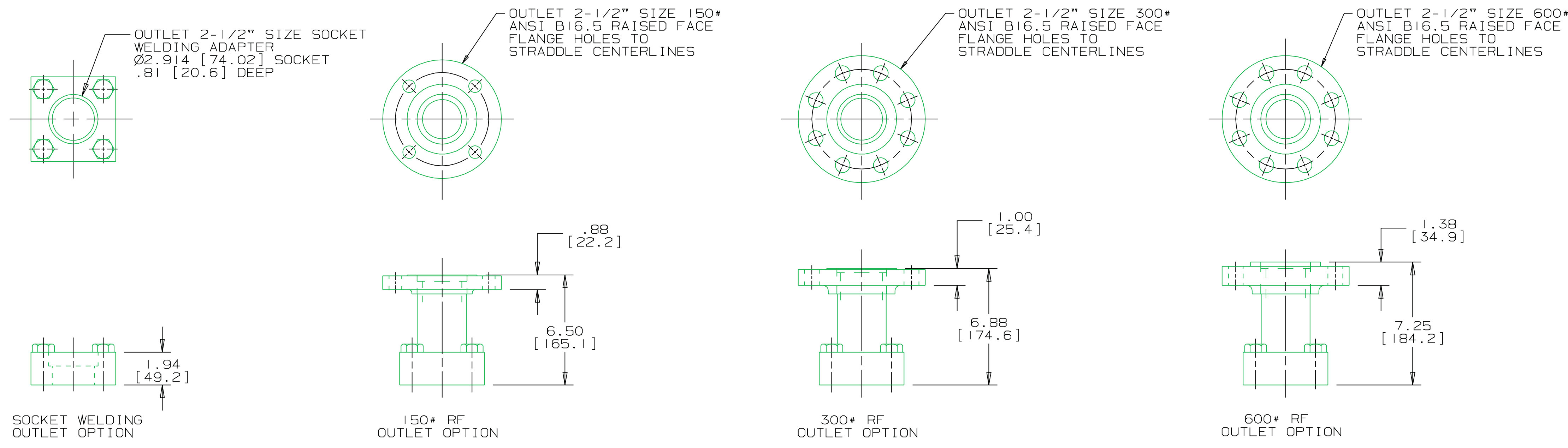


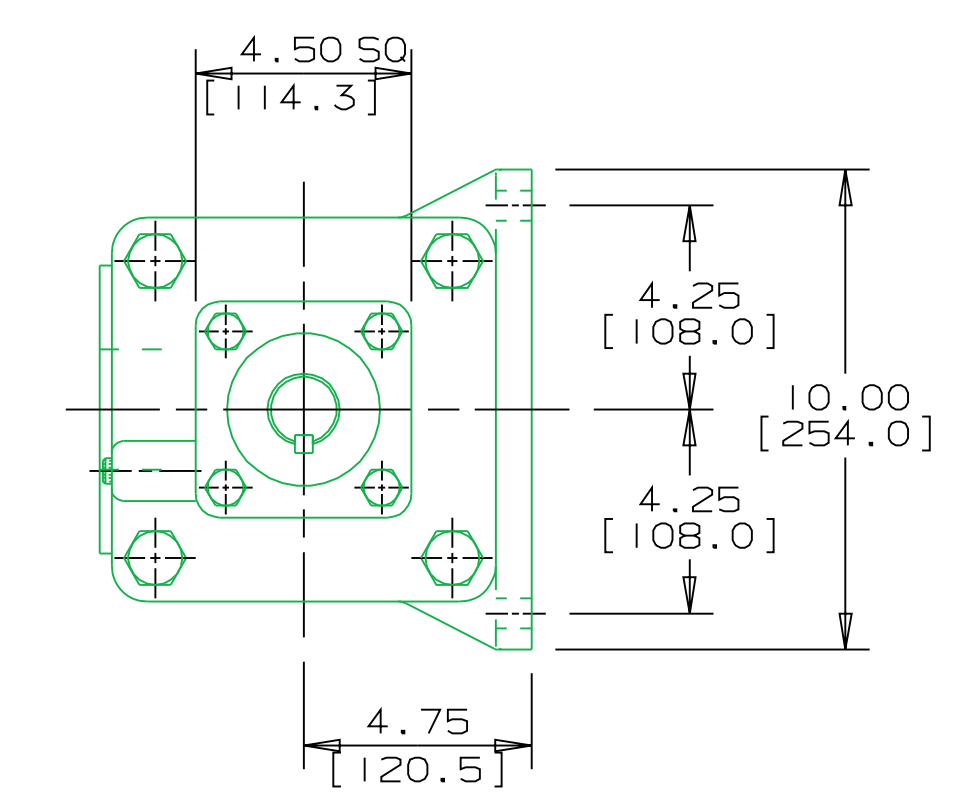
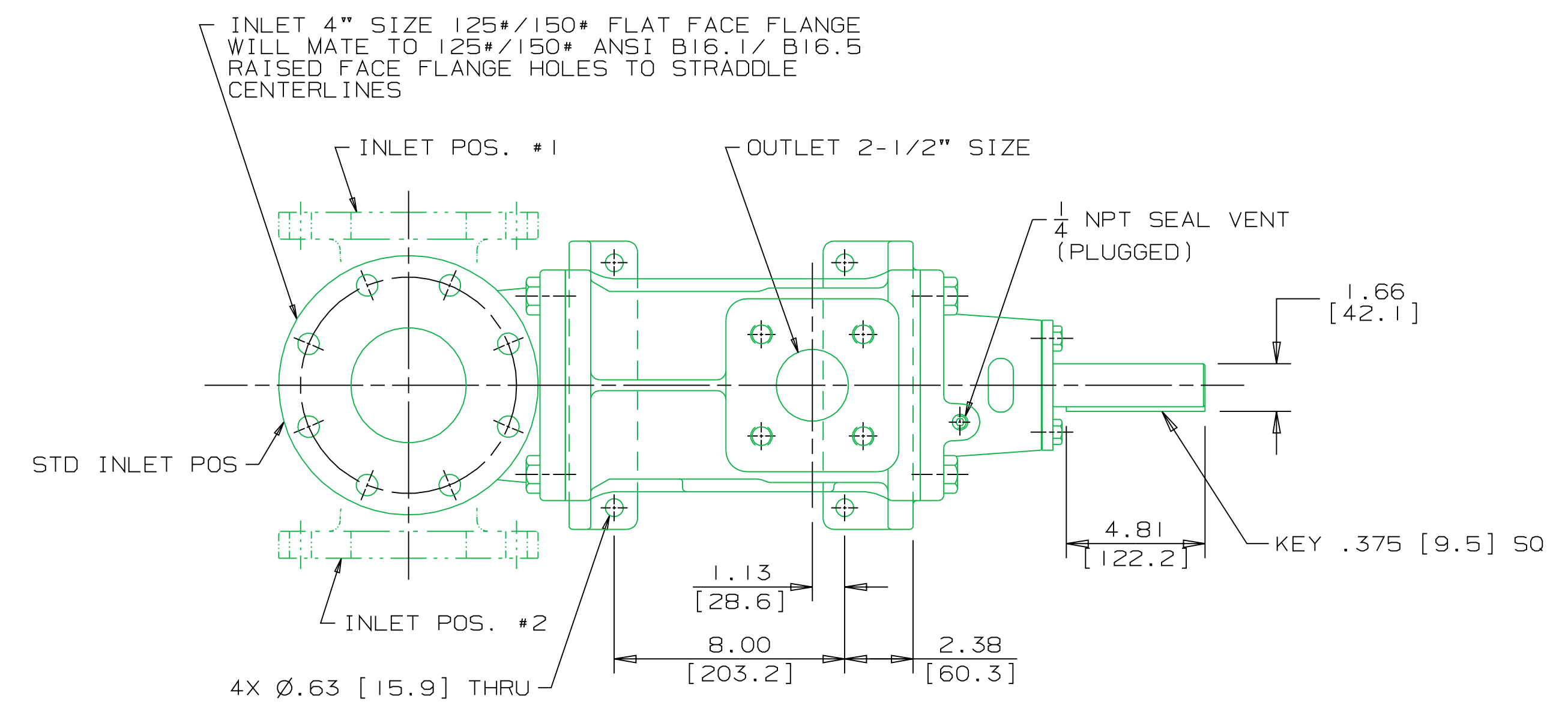
REVISION HISTORY					
CHG NO	ZONE	REV	DESCRIPTION	DATE	BY / APPROVED
99-00000	ALL	1	REVISED TO SHOW NEW ANSI FORMAT	11-22-99	WLW / WLW
00-0579	ALL	2	UPDATED TO CURRENT STANDARDS	11-9-00	DMM / DMM



INLET:  
 FX=300 LBF [1330 N]    MX= 500 LB FT [678 N·m]  
 FY=300 LBF [1330 N]    MY= 500 LB FT [678 N·m]  
 FZ=300 LBF [1330 N]    MZ= 500 LB FT [678 N·m]

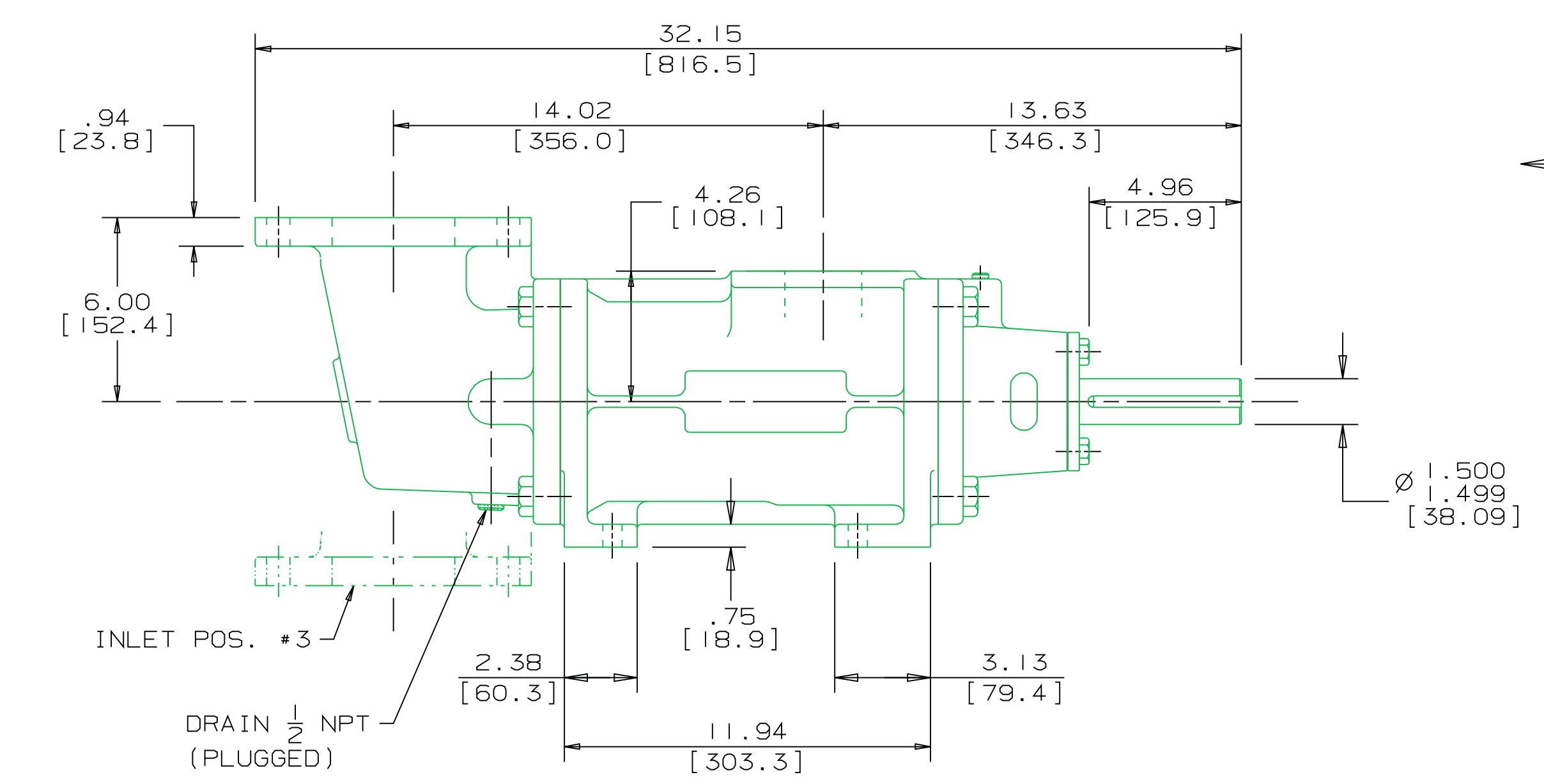
OUTLET:  
 FX=188 LBF [836 N]    MX= 313 LB FT [424 N·m]  
 FY=188 LBF [836 N]    MY= 313 LB FT [424 N·m]  
 FZ=188 LBF [836 N]    MZ= 313 LB FT [424 N·m]

FORCE AND MOMENT VALUES ARE RELATIVE TO CENTER OF INLET AND OUTLET PORT FACES.



- NOTES:
- UNLESS OTHERWISE SPECIFIED, ALL DIMENSIONS ARE IN INCHES. DIMENSIONS IN [ ] ARE MILLIMETERS.
  - TO MAXIMIZE SEAL LIFE, SEAL VENT MUST BE ORIENTED UPWARD (12 O'CLOCK) WHEN PUMP IS INSTALLED HORIZONTALLY. THIS IS NORMAL VENT ORIENTATION WHEN PUMP FEET ARE ORIENTED DOWNWARD. SEAL VENT ORIENTATION IS NOT CRITICAL WHEN PUMP IS INSTALLED WITH SHAFT VERTICALLY UPWARD.
  - PORT, FOOT, AND SEAL VENT ORIENTATIONS ARE SUPPLIED AS SHOWN ON DRAWING UNLESS OTHERWISE SPECIFIED.
  - ALTERNATE INLET PORT POSITIONS ARE PROVIDED IF SPECIFIED ON ORDER. AVAILABLE POSITIONS ARE: STANDARD, POSITION #1, POSITION #2 OR POSITION #3. ALL INLET PORT POSITIONS ARE RELATIVE TO OUTLET PORT.
  - ESTIMATED WEIGHT (WITHOUT PORT ADAPTERS) 202 LBS [91.6 kg].

DRAWING CERTIFICATION	
CUSTOMER NAME	-----
CUSTOMER PO NUMBER	-----
CUSTOMER PART NUMBER	-----
BOM NUMBER	-----
PUMP TYPE	-----
SHAFT ROTATION	-----
INLET PORT POSITION	-----
OUTLET PORT ADAPTER OPTION	-----
OTHER INFORMATION	
CERTIFIED BY	-----
CERTIFIED DATE	-----
IMO ORDER NUMBER	-----
DATA REVISION NUMBER	-----



FOOT MOUNT, RIGHT ANGLE INLET  
 STEEL 3D-250

DRAWN	DMS 2-14-96	
CHECKED	MJC 2-19-96	
APPROVED	MJC 2-19-96	
MATERIAL		TITLE
PROCESS		OUTLINE STANDARD (STEEL)
COMMENTS:	STANDARD ROTATION IS CLOCKWISE WHEN VIEWED FROM COUPLING END OF PUMP. SUCTION STRAINER AND DISCHARGE RELIEF VALVE MUST BE PROVIDED.	G 3 D - S - 2 5 0 - -
ALIGNMENT:	UNITS ARE ACCURATELY ALIGNED AT THE FACTORY. ALIGNMENT SHOULD BE CHECKED BEFORE STARTING TO ENSURE THAT IT IS STILL WITHIN .005 [0.13] F.W.	THIRD ANGLE PROJECTION
PRESTARTING:	FLUSH SUCTION PIPING BEFORE CONNECTING PUMP. PRIME AND VENT PUMP. DO NOT START PUMP WITH VALVES CLOSED. READ INSTRUCTION MANUAL FOR DETAILS BEFORE STARTING.	FIRST ORDER
USED ON:	802722	SIZE
	3 2 1 5 / 1 5 1	CAGE CODE
		DWG NO
		SDD 18558
		SCALE
		1/4
		WEIGHT
		SEE NOTE 5
		SHEET
		1 OF 1