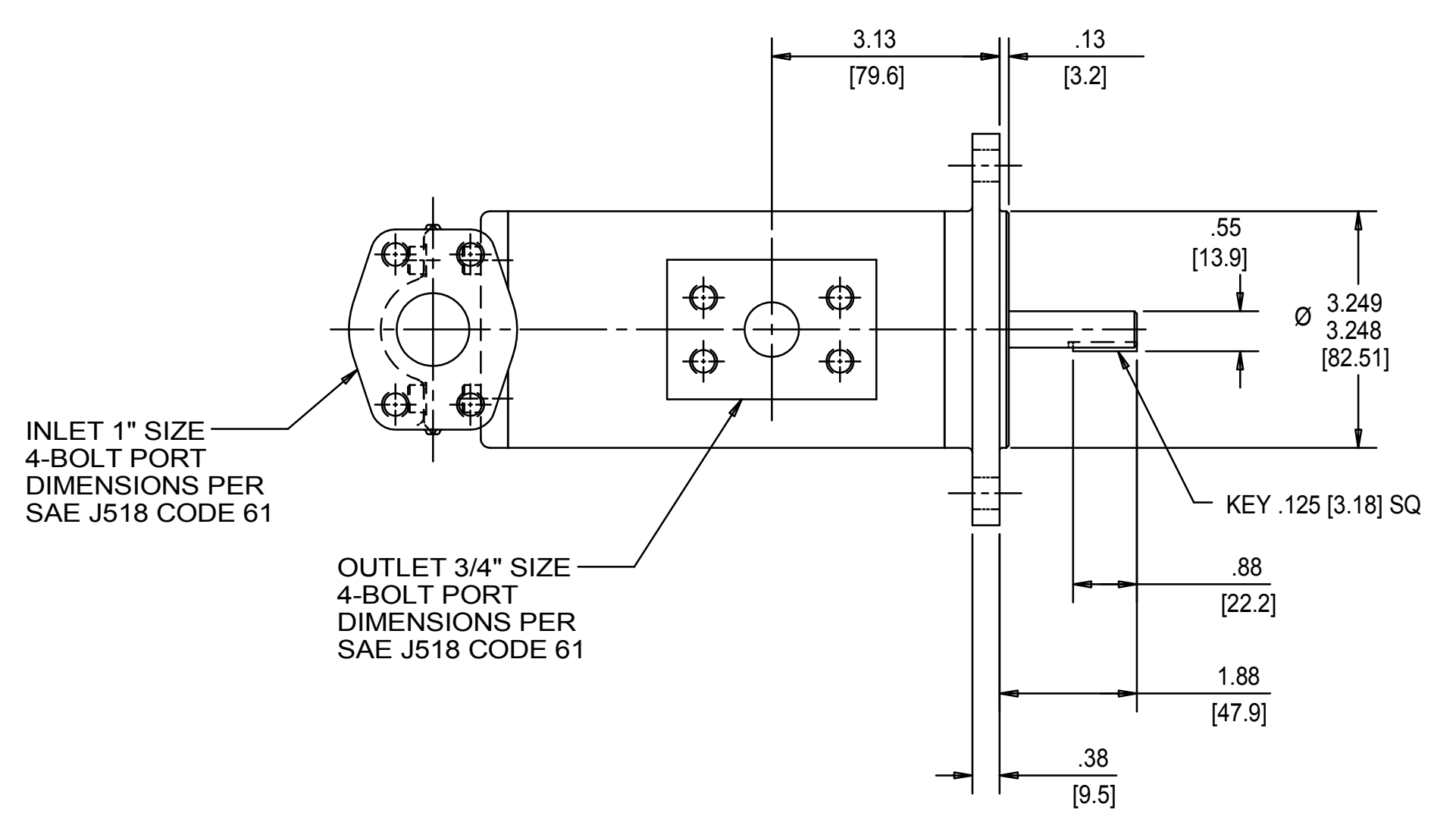
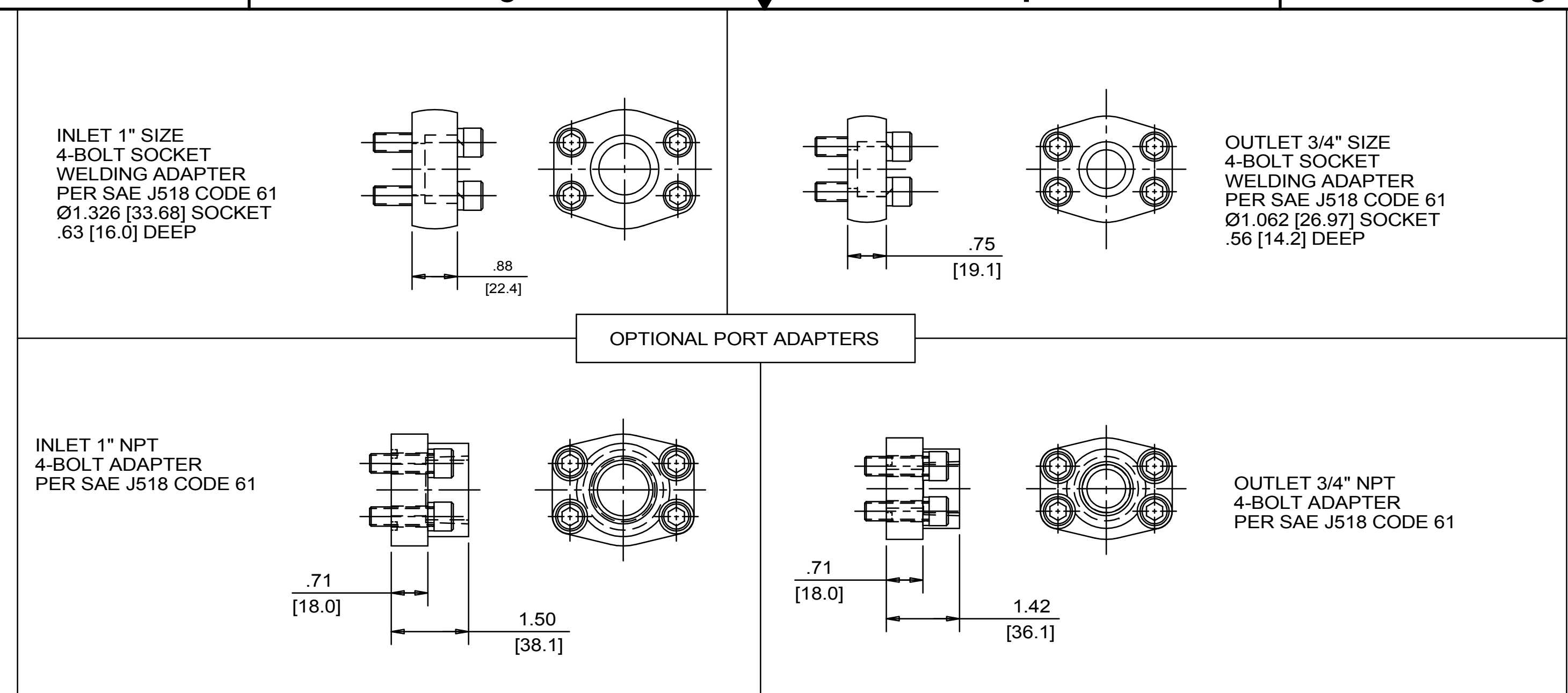
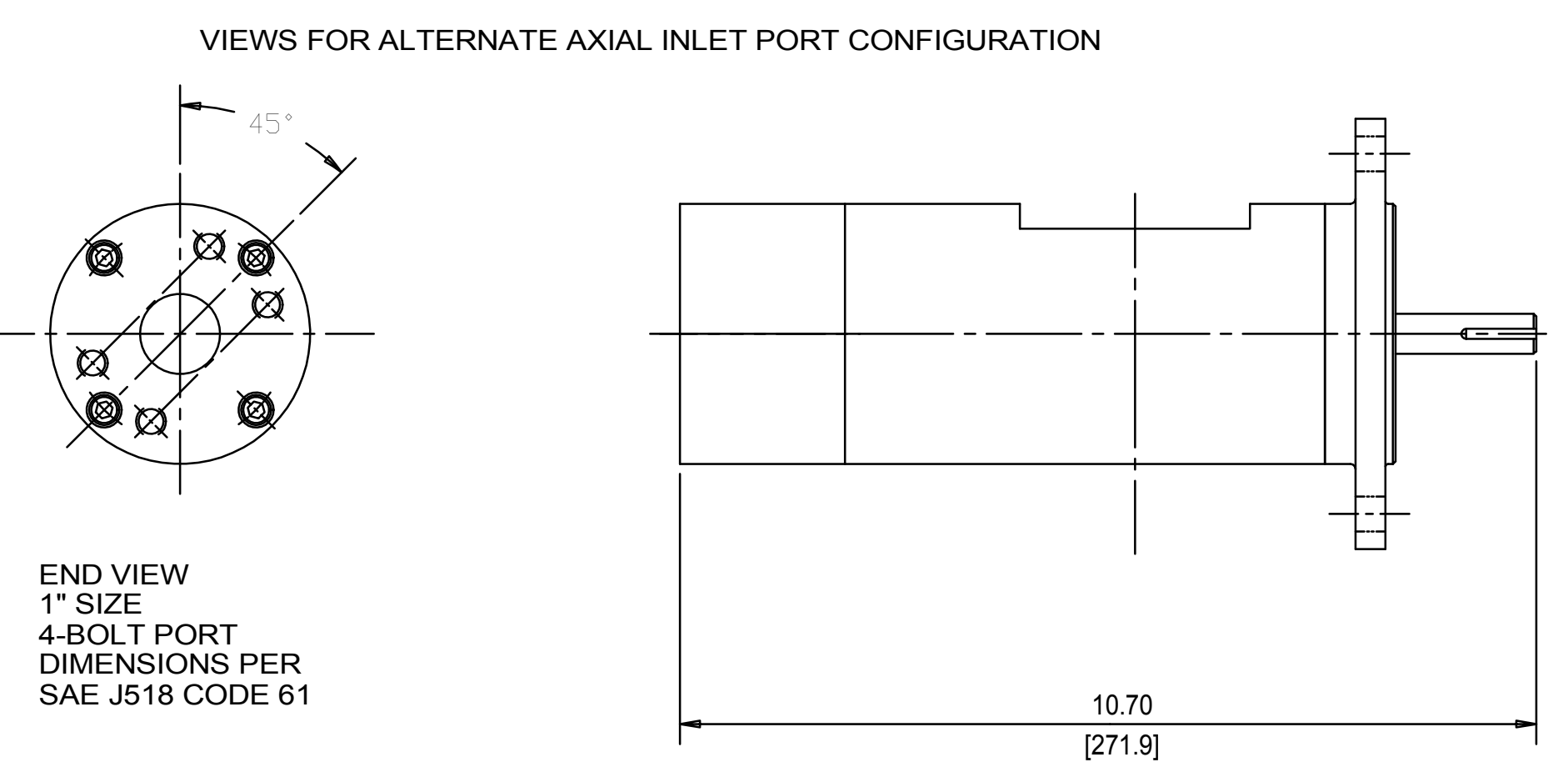
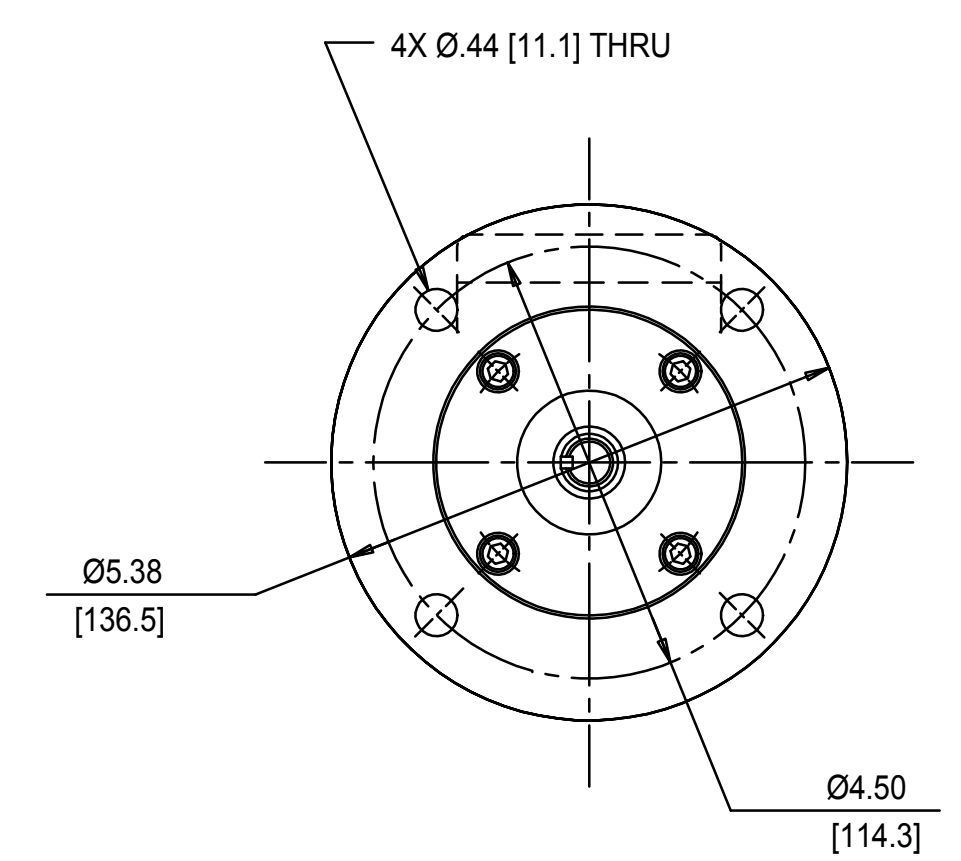
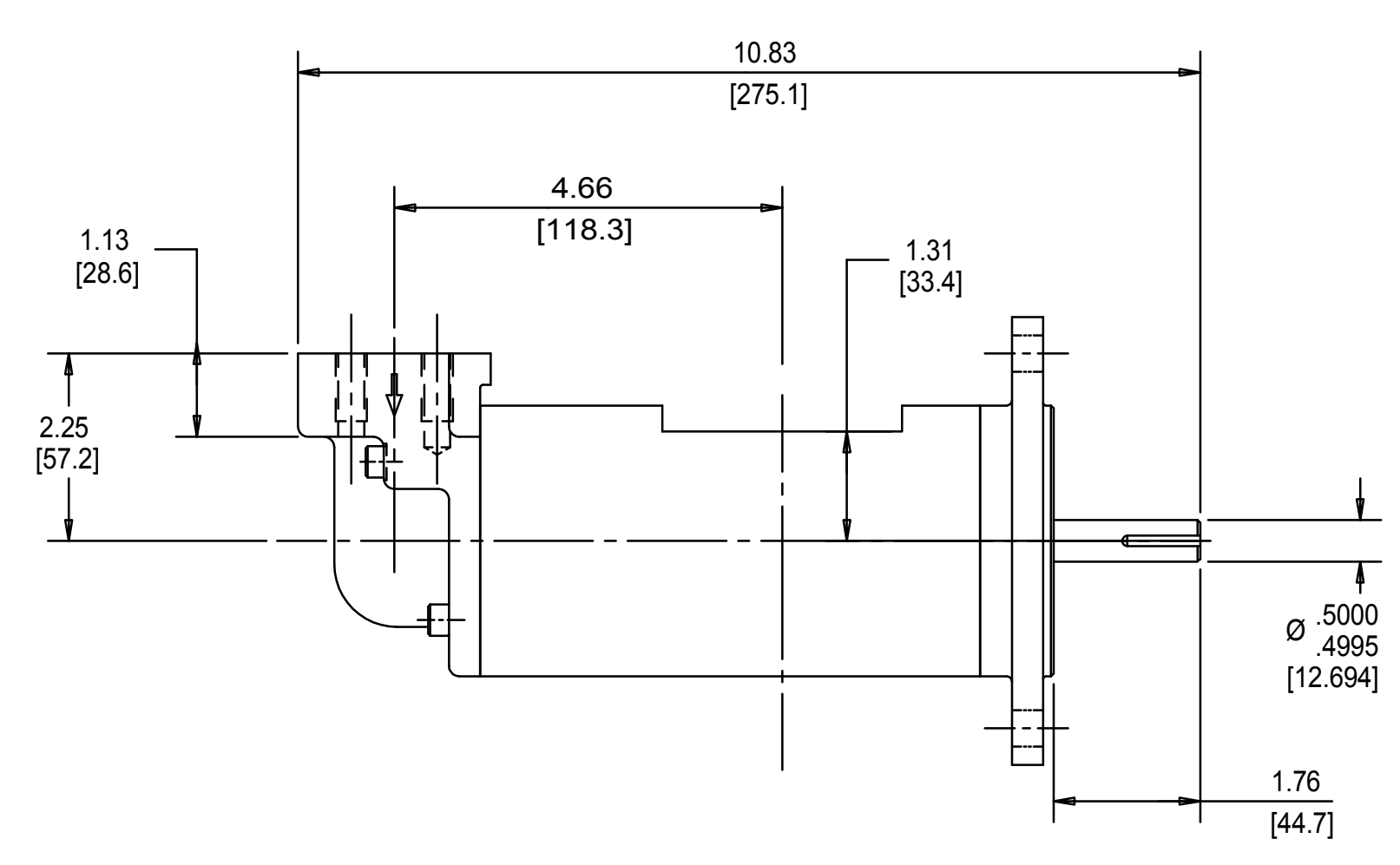


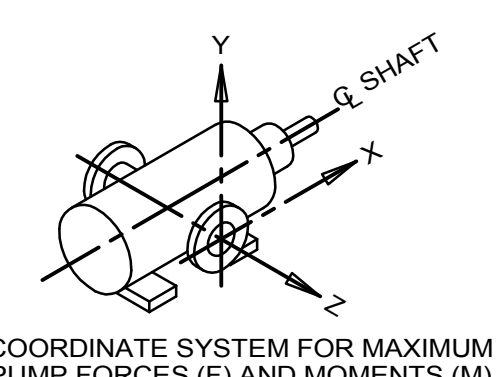
REVISION HISTORY					
CHG NO	ZONE	REV	DESCRIPTION	DATE	BY / APPROVED
11-0187	AI	6	CHANGED TITLE, WAS AA3G	5-17-11	ERH / ERH
22-0000	ALL	7	UPDATED TITLE BLOCK, FORCES & MOMENTS STAMP	1-27-22	CDG / CDG



← ROTATION →



- NOTES:
1. PORT ORIENTATIONS SUPPLIED AS SHOWN UNLESS OTHERWISE SPECIFIED.
  2. ALTERNATE RADIAL INLET PORT ORIENTATIONS PROVIDED IF SPECIFIED ON ORDER. AVAILABLE ALTERNATE ORIENTATIONS ARE 3, 6, 9, AND 12 O'CLOCK RELATIVE TO OUTLET PORT.
  3. BOLT PATTERN FOR SAE 4-BOLT AXIAL INLET IS ALWAYS ORIENTED AS SHOWN WITH RESPECT TO OUTLET PORT.
  4. APPROXIMATE PUMP WEIGHT [WITHOUT ADAPTERS]: 18.1 LBS. [8.25 kgs]
  5. UNLESS OTHERWISE SPECIFIED, ALL DIMENSIONS ARE IN INCHES. DIMENSIONS IN ( ) ARE MILLIMETERS.



	LB F	N
INLET: Fx, Fy, Fz	37.5	169
OUTLET: Fx, Fy, Fz	28.1	125

	LB FT	Nm
INLET: Mx, My, Mz	62.5	84.7
OUTLET: Mx, My, Mz	46.9	63.6

FORCE AND MOMENT VALUES ARE RELATIVE TO CENTER OF INLET AND OUTLET PORT FACES.

**DRAWING CERTIFICATION**

12 O'CLOCK  
9 O'CLOCK  
6 O'CLOCK  
3 O'CLOCK  
OUTLET PORT  
SHAFT  
\*\*\*SEE NOTES 1, 2 & 3\*\*\*

CUSTOMER NAME -----  
 CUSTOMER PO NUMBER -----  
 CUSTOMER PART NUMBER -----  
 BOM NUMBER -----  
 PUMP TYPE -----  
 SHAFT ROTATION -----  
 INLET PORT ORIENTATION -----  
 INLET PORT OPTION -----  
 INLET ADAPTER OPTION -----  
 OUTLET ADAPTER OPTION -----  
 OTHER INFORMATION -----

CERTIFIED BY -----  
 CERTIFIED DATE -----  
 IMO ORDER NUMBER -----  
 DATA REVISION NUMBER -----

DRAWN	NRS	6-14-99		
CHECKED	NRS	6-14-99		
APPROVED	NRS	6-14-99		
PROCESS			TITLE	OUTLINE STANDARD (STEEL)
UNLESS OTHERWISE SPECIFIED ASME Y14.5M-1994			3G/NNS_IA095_	
DESIGNATION	FIRST ORDER	SIZE	SAGE CODE	DWG NO
E1102A	F	59180		SDD19706
SCALE	1/2	WEIGHT	SEE NOTE 4	SHEET 1 OF 1