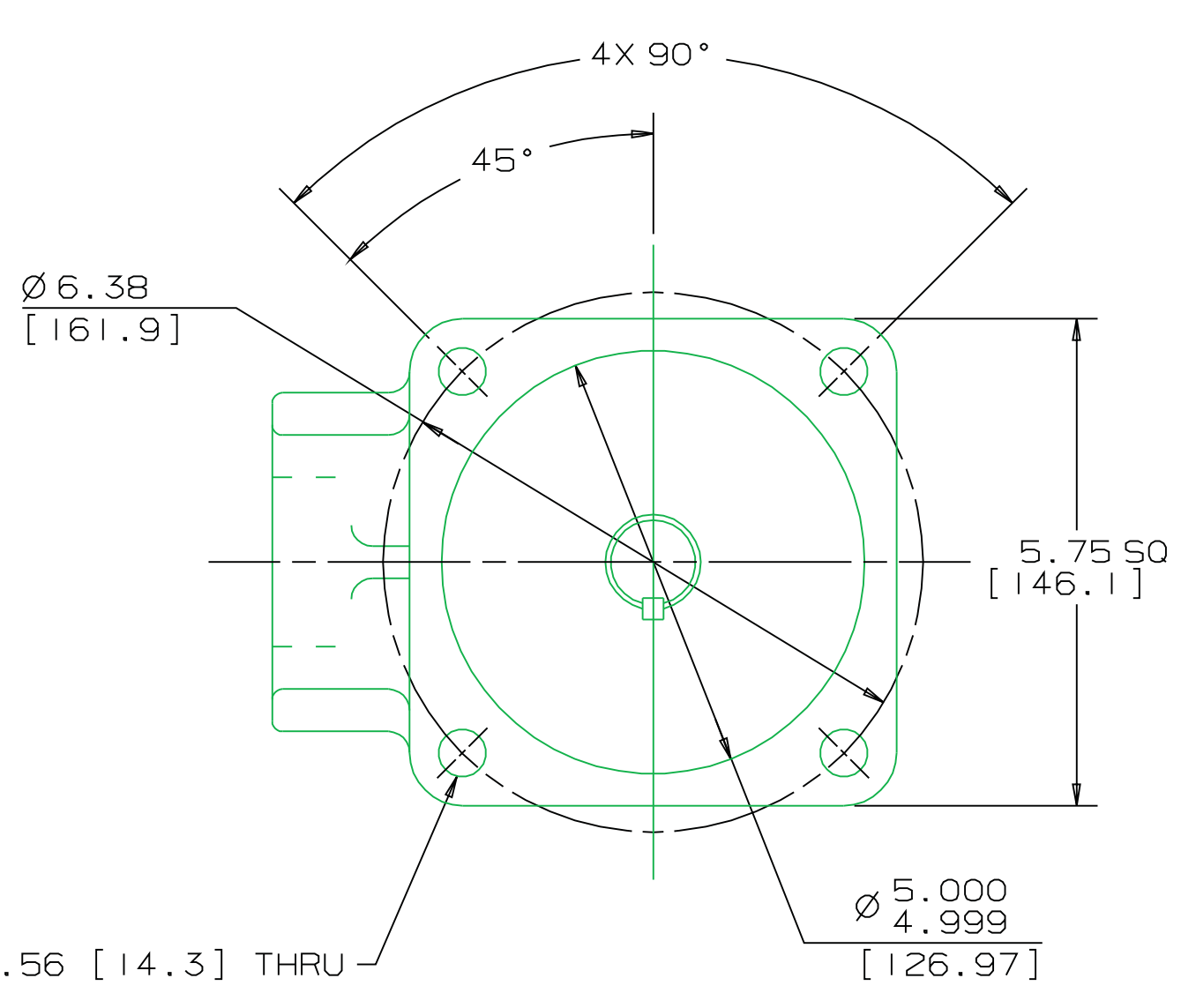
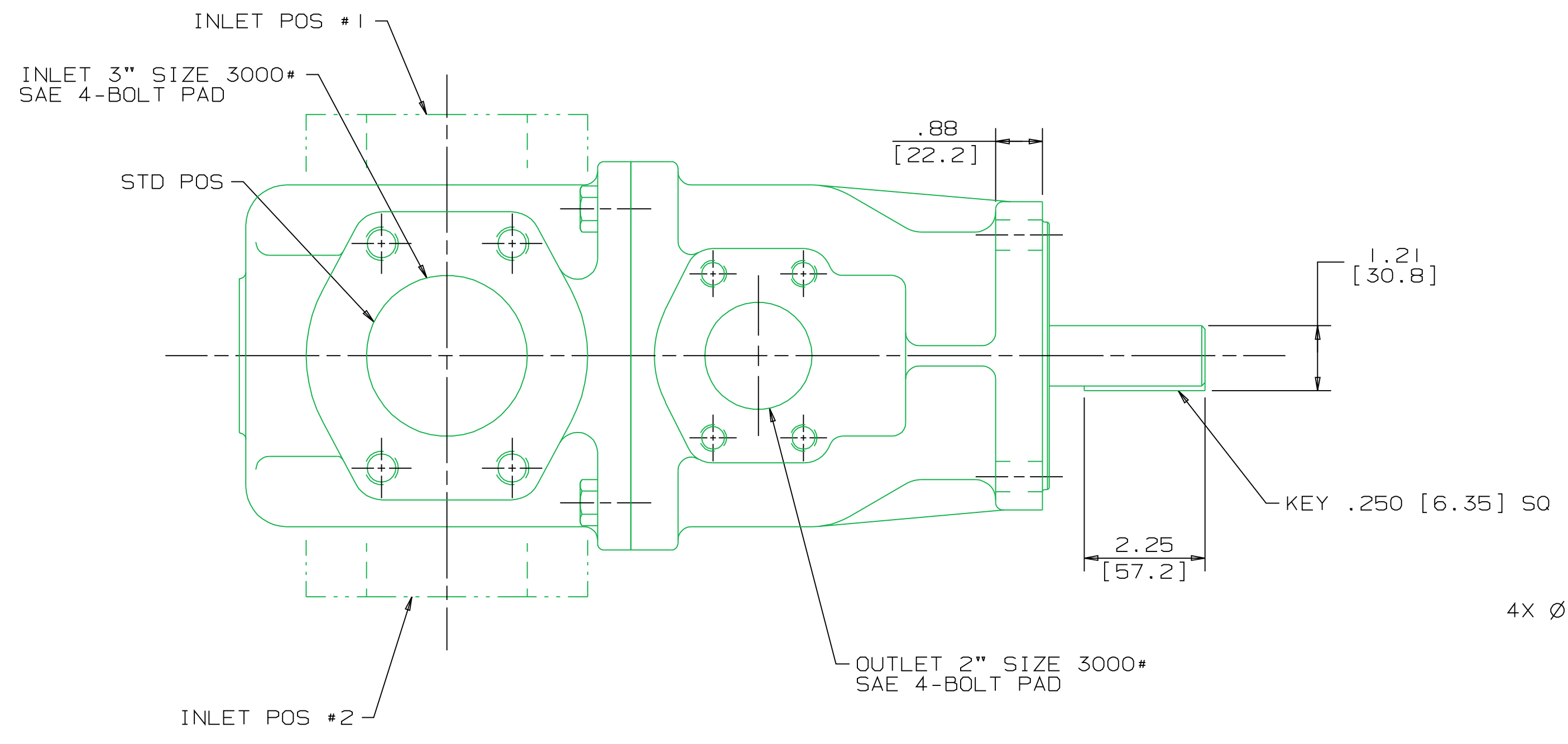
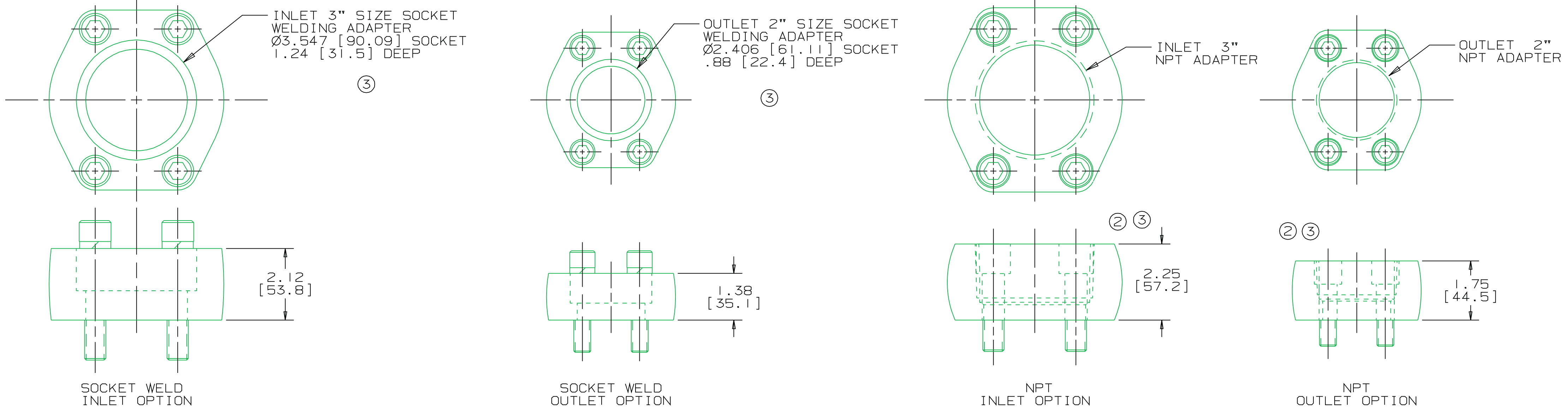
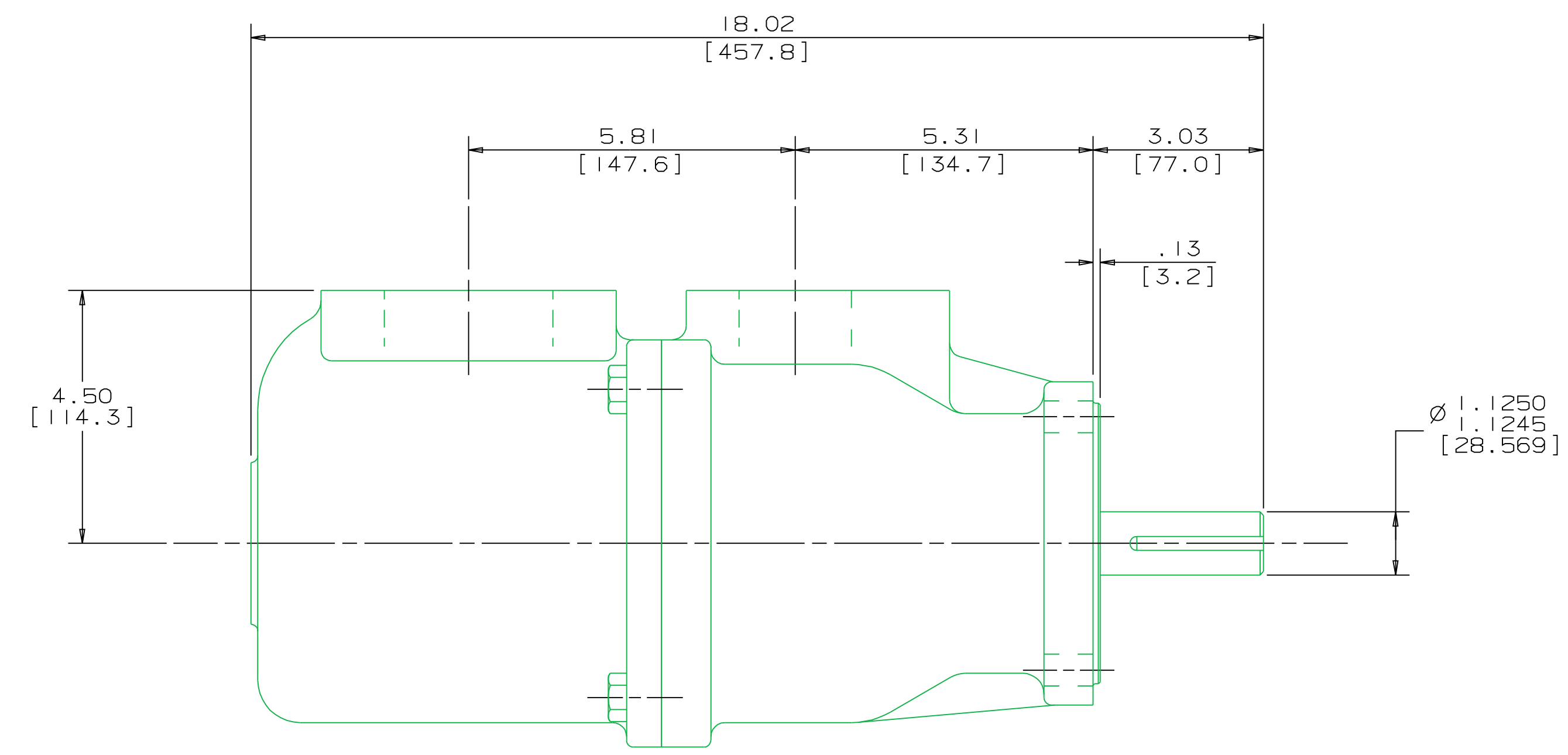


REVISION HISTORY						
CHG NO	ZONE	REV	DESCRIPTION	DATE	BY	APPROVED
00-00365	ALL	1	NPT ADAPTERS UPDATED	8-2-00	DAV	MLW
01-0270	D3-D5	2	ADDED LOCKWASHERS & CAP SCREW HEADS TO ADAPTERS	5-31-01	KV	KV
01-0287	ALL	3	ALL ADAPTERS UPDATED TO REFLECT 9/99 ANCHOR CATALOG	6-12-01	DMM	DMM



DRAWING CERTIFICATION	
CUSTOMER NAME	-----
CUSTOMER PO NUMBER	---
CUSTOMER PART NUMBER	-
BOM NUMBER	-----
PUMP TYPE	-----
SHAFT ROTATION	-----
INLET PORT POSITION	--
INLET PORT OPTION	----
OUTLET PORT OPTION	---
OTHER INFORMATION	
CERTIFIED BY	-----
CERTIFIED DATE	-----
IMO ORDER NUMBER	-----
DATA REVISION NUMBER	-

- NOTES:
- UNLESS OTHERWISE SPECIFIED, ALL DIMENSIONS ARE IN INCHES. DIMENSIONS IN [] ARE MILLIMETERS.
 - INLET PORT POSITION IS RELATIVE TO THE OUTLET PORT.



← ROTATION →

MATERIAL		DRAWN	WLW 4-25-00				
PROCESS		CHECKED	WLW 5-17-00				
		APPD	WLW 5-17-00				
COMMENTS: STANDARD ROTATION IS CLOCKWISE WHEN VIEWED FROM COUPLING END OF PUMP. SUCTION STRAINER AND DISCHARGE RELIEF VALVE MUST BE PROVIDED. UNITS ARE ACCURATELY ALIGNED AT THE FACTORY. ALIGNMENT SHOULD BE CHECKED BEFORE STARTING TO ENSURE THAT IT IS STILL WITHIN .005 [0.13] F.W. PRESTARTING: FLUSH SUCTION PIPING BEFORE CONNECTING PUMP. PRIME AND VENT PUMP. DO NOT START PUMP WITH VALVES CLOSED. READ INSTRUCTION MANUAL FOR DETAILS BEFORE STARTING.		THIRD ANGLE PROJECTION	FIRST ORDER	SIZE	CAGE CODE	DWG NO	
		3 2 5 3 / 2 2 0		D	59180	SDD 19927	
		SCALE	1/2	WEIGHT	92LBS [41.7 kg]	SHEET	1 OF 1