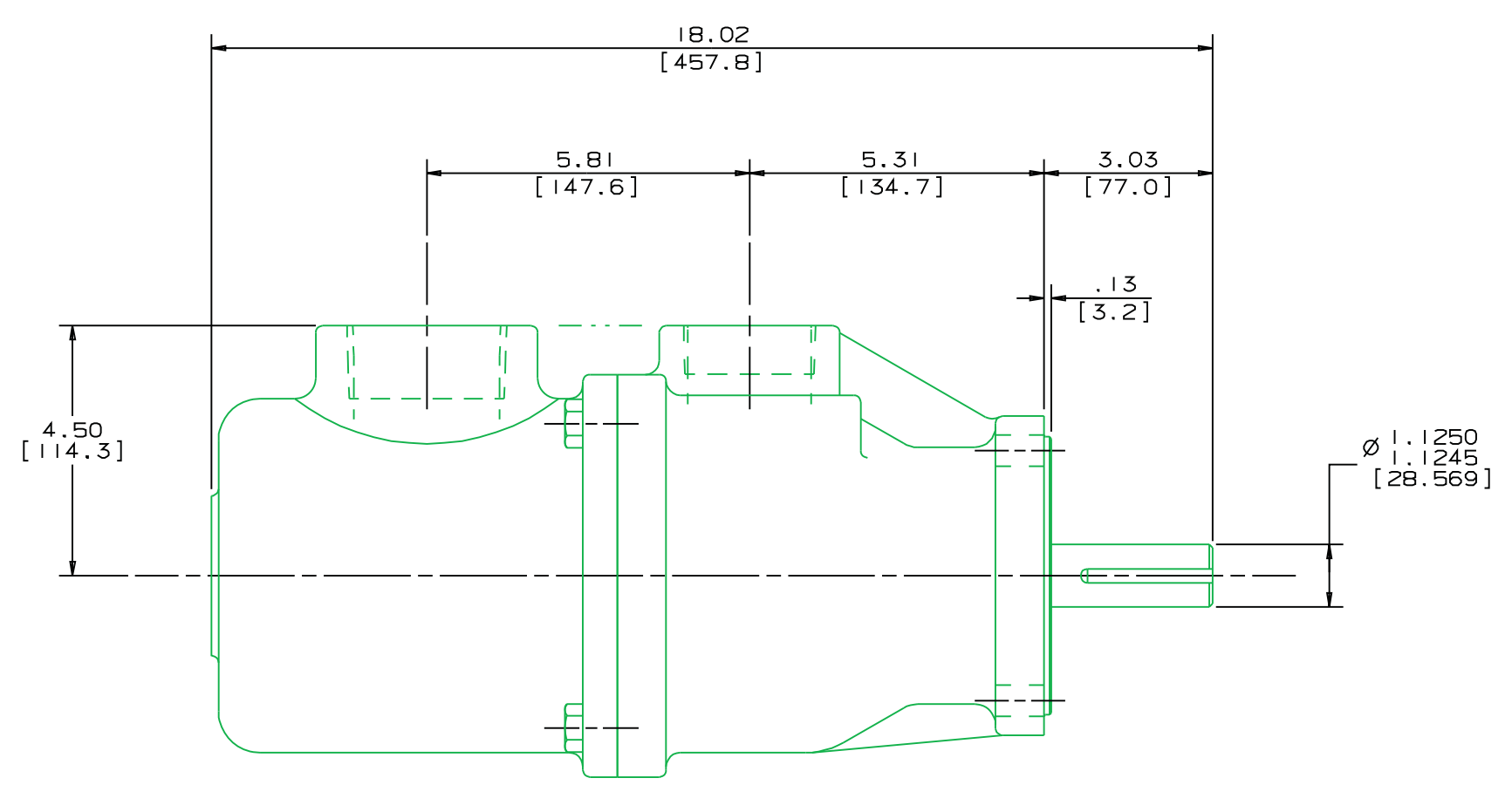
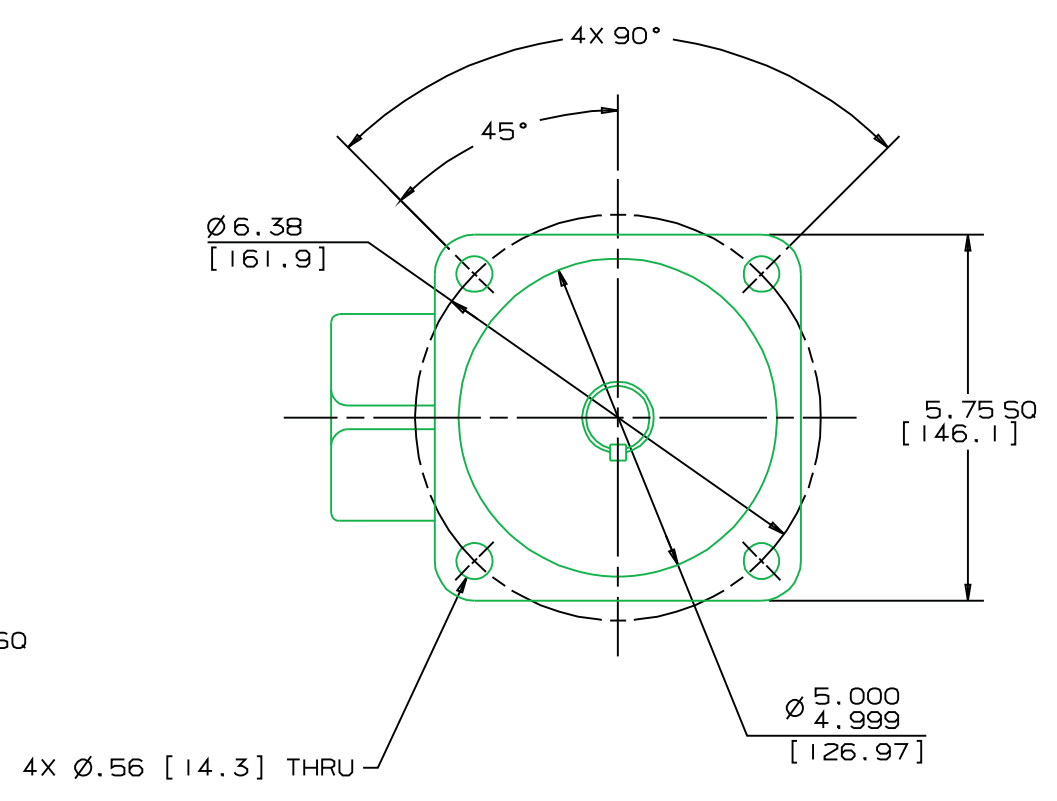
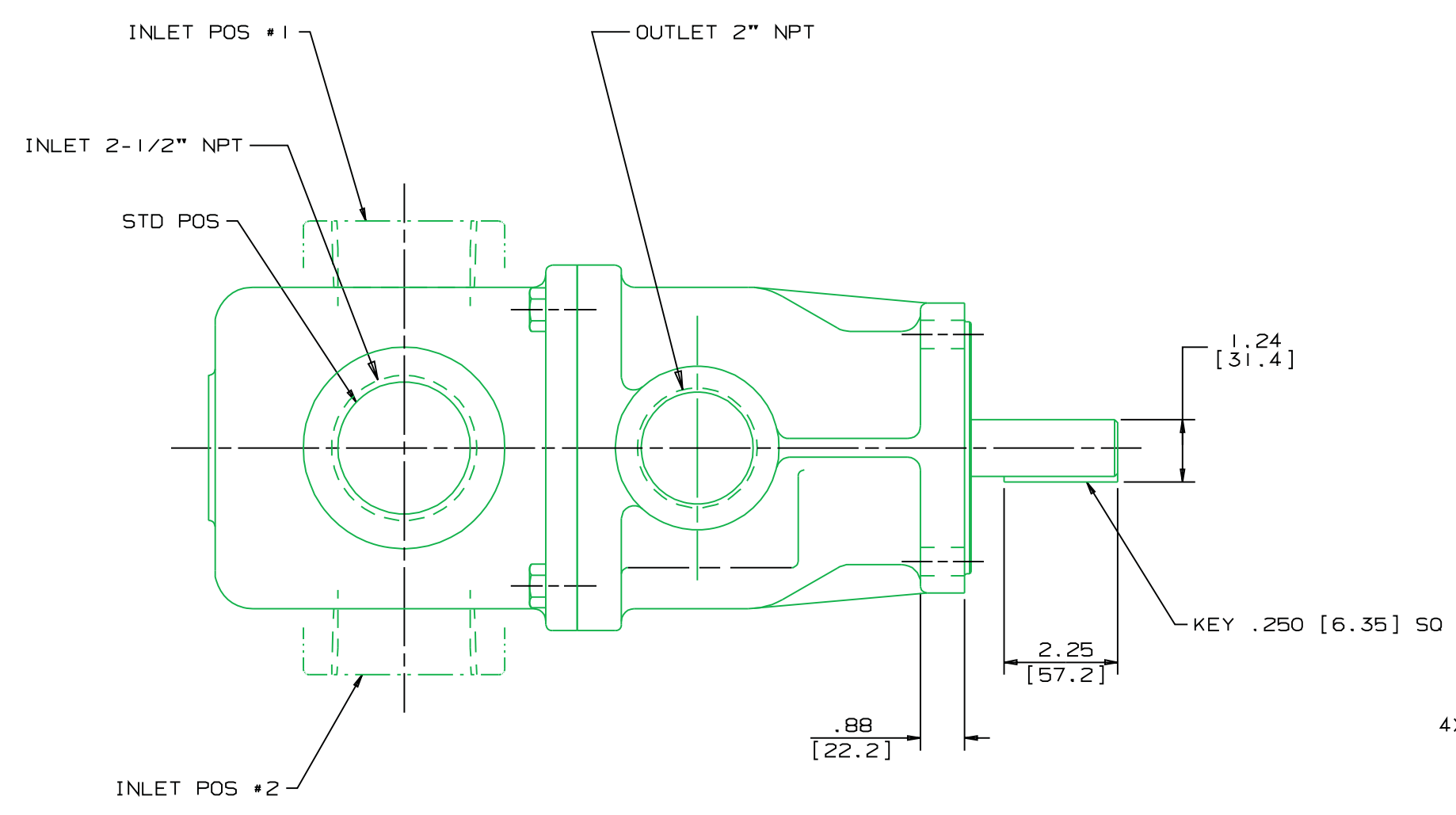


8 7 6 5 4 3 2

REVISION HISTORY						
CHG NO	ZONE	REV	DESCRIPTION	DATE	BY	APPROVED



← ROTATION →

DRAWING CERTIFICATION	
CUSTOMER NAME	-----
CUSTOMER PO NUMBER	---
CUSTOMER PART NUMBER	-
BOM NUMBER	-----
PUMP TYPE	-----
SHAFT ROTATION	-----
INLET PORT POSITION	--
OTHER INFORMATION	
CERTIFIED BY	-----
CERTIFIED DATE	-----
IMO ORDER NUMBER	-----
DATA REVISION NUMBER	-

NOTES:
 1. UNLESS OTHERWISE SPECIFIED, ALL DIMENSIONS ARE IN INCHES. DIMENSIONS IN [] ARE MILLIMETERS.
 2. PORT POSITIONS ARE RELATIVE TO THE OUTLET PORT.

DRAWN	WLW	4-25-00	
CHECKED	WLW	5-17-00	
APPD	WLW	5-17-00	
COMMENTS: STANDARD ROTATION IS CLOCKWISE WHEN VIEWED FROM COUPLING END OF PUMP. SUCTION STRAINER AND DISCHARGE RELIEF VALVE MUST BE PROVIDED. UNITS ARE ACCURATELY ALIGNED AT THE FACTORY. ALIGNMENT SHOULD BE CHECKED BEFORE STARTING TO ENSURE THAT IT IS STILL WITHIN .005 [0.13] FIM. PRESTARTING: FLUSH SUCTION PIPING BEFORE CONNECTING PUMP. PRIME AND VENT PUMP. DO NOT START PUMP WITH VALVES CLOSED. READ INSTRUCTION MANUAL FOR DETAILS BEFORE STARTING.			TITLE OUTLINE STANDARD _3E1C-187_/200_
MATERIAL	PROCESS	METHODS	SIZE D
USED ON 3243/220		SCALE 1/4	CAGE CODE 59180
FIRST ORDER 3243/220		DWG NO SDD19926	WEIGHT 92 LBS [41.7 kg]
SHEET 1		OF 1	

8 7 6 5 4 3 2