

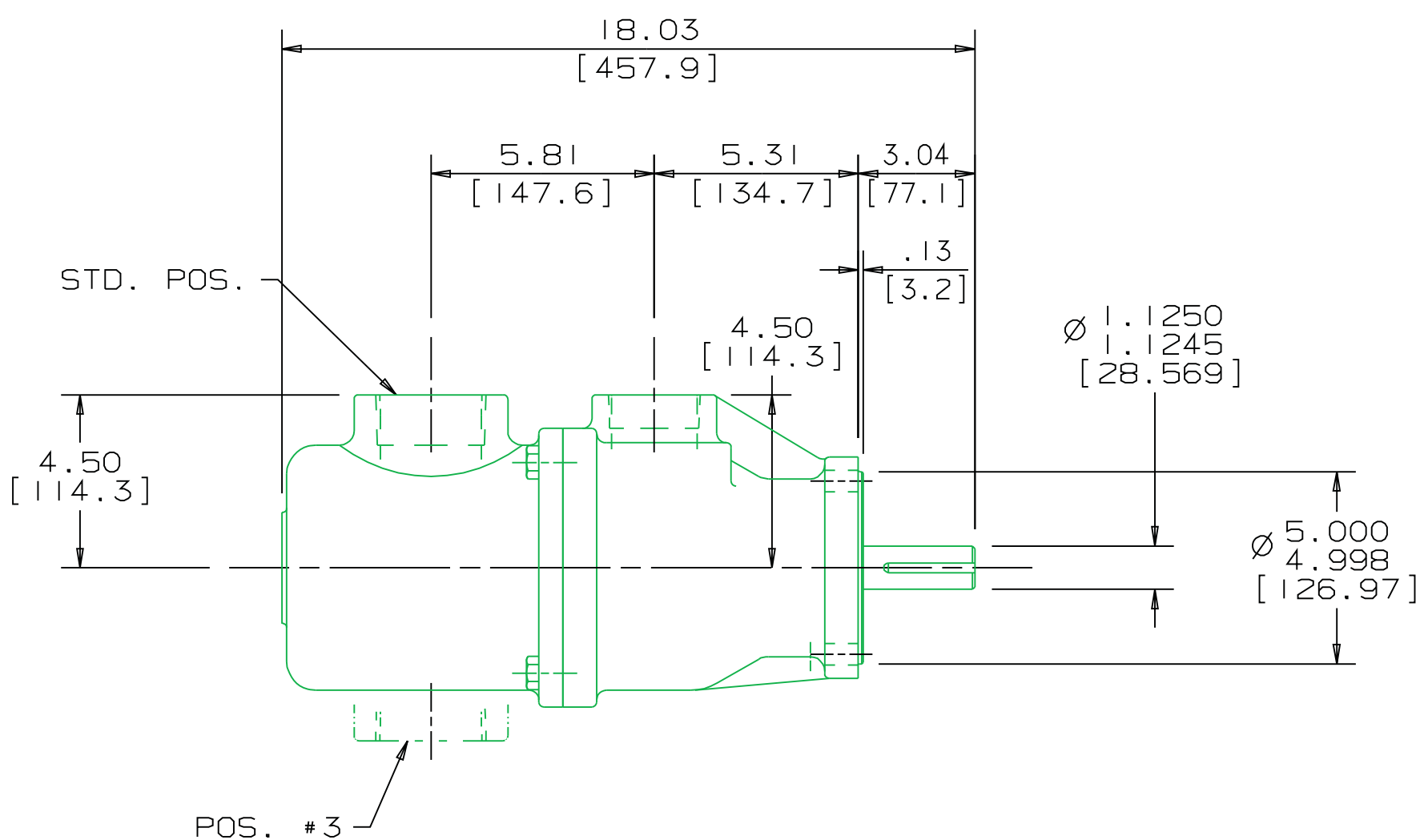
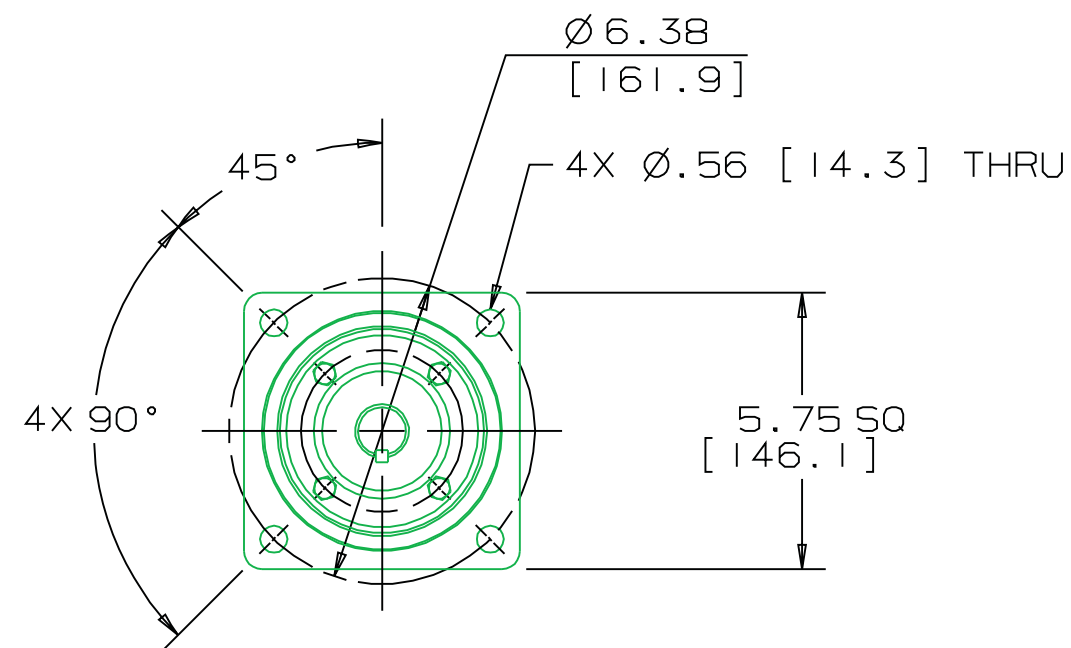
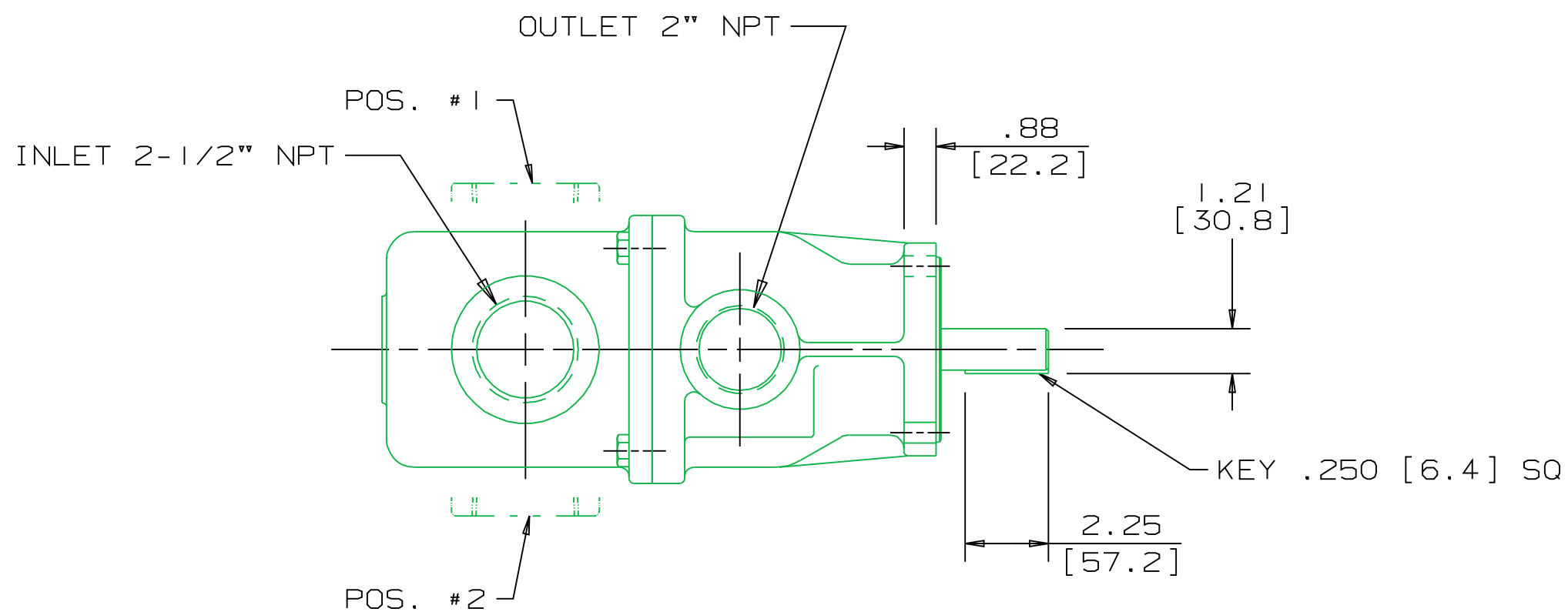
4

3

2

REVISION HISTORY

CHG NO	ZONE	REV	DESCRIPTION	DATE	BY	APPROVED
99-00000	ALL	1	REVISED FOR APPV'D ANSI FORMAT	10-18-99	JTT	JTT
00-00292	ALL	2	ADD SEAL WEEP HOLE NOTE, EMAIL, CERT BLOCK	5-15-00	WLW	WLW
			ADD NOTE 2, REVISE DIMS.			



DRAWING CERTIFICATION	
CUSTOMER NAME	-----
CUSTOMER PO NUMBER	---
CUSTOMER PART NUMBER	-
BOM NUMBER	-----
PUMP TYPE	-----
SHAFT ROTATION	-----
INLET PORT POSITION	--
OTHER INFORMATION	
CERTIFIED BY	-----
CERTIFIED DATE	-----
IMO ORDER NUMBER	-----
DATA REVISION NUMBER	-

NOTES:

- UNLESS OTHERWISE SPECIFIED, ALL DIMENSIONS ARE IN INCHES. DIMENSIONS IN [ ] ARE MILLIMETERS.
- PORT POSITIONS ARE RELATIVE TO THE WEEP HOLE FACING DOWNWARD.

MATERIAL		DRAWN	JTT 08-08-97				
PROCESS		CHECKED	MJC 08-11-97				
COMMENTS:	STANDARD ROTATION IS CLOCKWISE WHEN VIEWED FROM COUPLING END OF PUMP. SUCTION STRAINER AND DISCHARGE RELIEF VALVE MUST BE PROVIDED.	APPD	MJC 08-11-97				
ALIGNMENT:	UNITS ARE ACCURATELY ALIGNED AT THE FACTORY. ALIGNMENT SHOULD BE CHECKED BEFORE STARTING TO ENSURE THAT IT IS STILL WITHIN .005 [0.13] FIM.	METHODS		TITLE	OUTLINE STANDARD _3E_C-187_/200_		
PRESTARTING:	FLUSH SUCTION PIPING BEFORE CONNECTING PUMP. PRIME AND VENT PUMP. DO NOT START PUMP WITH VALVES CLOSED. READ INSTRUCTION MANUAL FOR DETAILS BEFORE STARTING.	THIRD ANGLE PROJECTION	FIRST ORDER	SIZE	CAGE CODE	DWG NO	
		813749	813749	C	59180	SDD19113	
		USED ON	3243/250	SCALE	1/4	WEIGHT 92 LBS [41.7 kg]	SHEET 1 OF 1

4

3

2

A